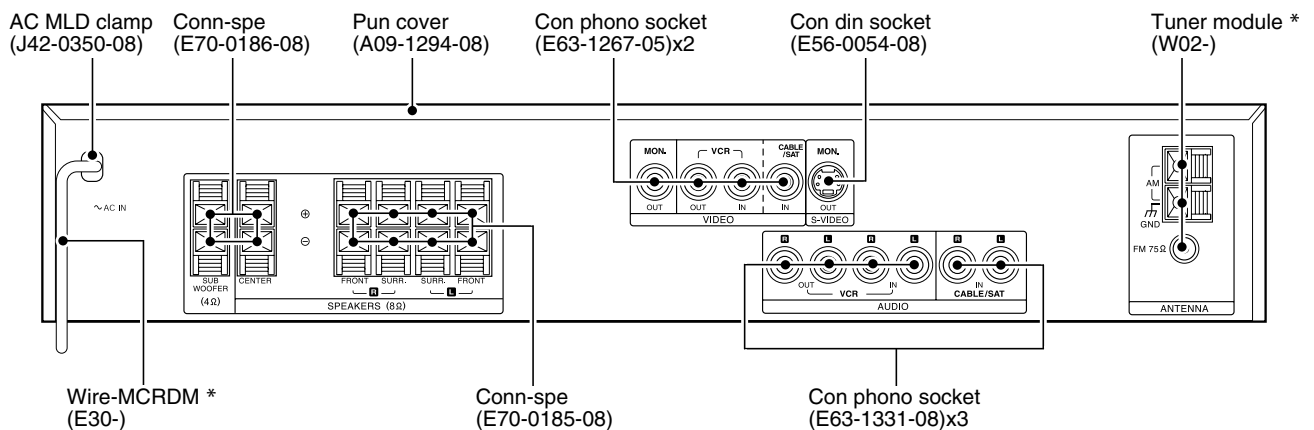
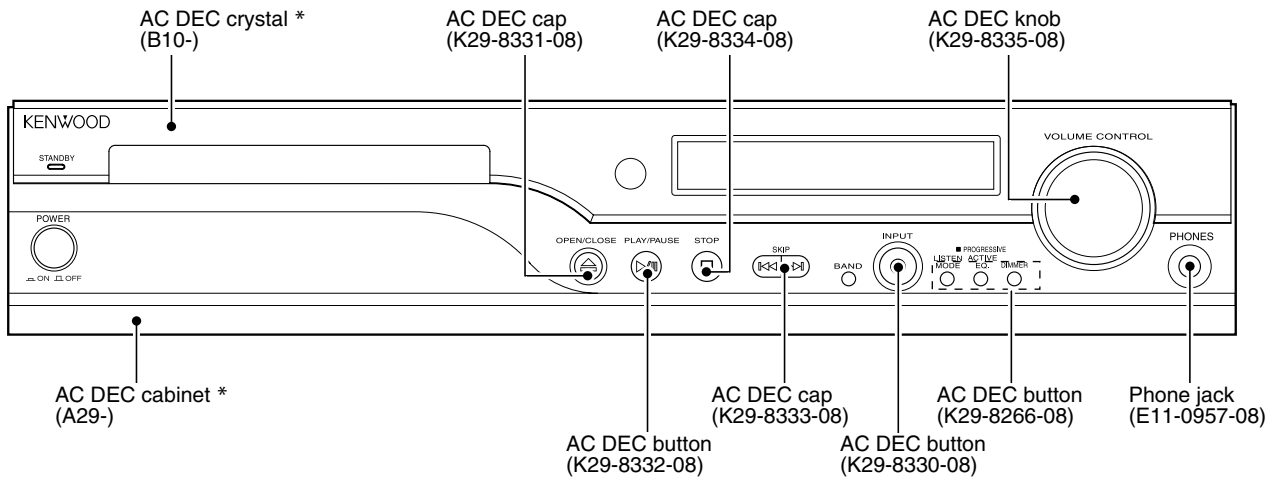


DVR-6200 KSW-6200 SERVICE MANUAL (DVT-6200)



*** Refer to parts list on page 24.**

In compliance with Federal Regulations, following are reproduction of labels on, or inside the product relating to laser product safety.

Caution : No connection of ground line if disassemble the unit. Please connect the ground line on rear panel, PCBs, Chassis and some others.

KENWOOD Corp. certifies this equipment conforms to DHHS Regulations No.21 CFR 1040. 10, Chapter 1, subchapter J.

DANGER : Laser radiation when open and interlock defeated. AVOID DIRECT EXPOSURE TO BEAM.

DVR-6200

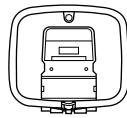
ACCESSORIES / CAUTIONS

Accessories

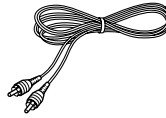
FM indoor antenna (1)
(T90-0882-08): MEX
(T90-0907-08): K



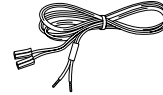
Loop antenna (1)
(T90-0896-08)



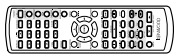
Video cord (1)
(E30-1427-05)



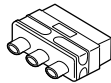
Speaker cords (6)
(E30-5480-08): RD
(E30-5962-08): WH
(E30-7005-05): VT
(E30-5482-08): GN
(E30-5483-08): GY
(E30-5963-08): BL



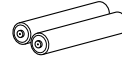
Remote control unit (1)
(A70-1647-08): KXM
(A70-1648-08): E



SCART plug adaptor (1)
(Europe only)
(E69-0012-05)



Batteries (R6/AA) (2)



SYSTEM CONFIGURATION

SYSTEM	MAIN UNIT	SPEAKER
DVT-6200	DVR-6200	KSW-6200

Cautions

Speaker model names

System	Speakers
DVR-6200	KSW-6200 (Left speaker, right speaker, center speaker, surround speakers and subwoofer)

Note related to transportation and movement

Before transporting or moving this unit, carry out the following operations.

1. Set the POWER ON/OFF switch to the ON without loading a disc.
2. Wait a few seconds and verify that the display shown appears.

NO DISC

3. Set the POWER ON/OFF switch to OFF.

Caution on condensation

Condensation (of dew) may occur inside the unit when there is a great difference in temperature between this unit and the outside. This unit may not function properly if condensation occurs. In this case, leave the unit for a few hours and restart the operation after the condensation has dried up.

Be specially cautious against condensation in the following circumstances:

When this unit is carried from one place to another across a large difference in temperature, when the humidity in the room where this unit is installed increases, etc.



Manufactured under license from Dolby Laboratories. "DOLBY", "Pro Logic" and the double-D symbol are trademarks of Dolby Laboratories.



"DTS" and "DTS Digital Surround" are trademarks of Digital Theater Systems, Inc.

The marking of products using laser

(For countries other than U.S.A. and U.S.-Military)



The marking this product has been classified as Class 1. It means that there is no danger of hazardous radiation outside the product.
Location: Back panel

CAUTION

VISIBLE AND INVISIBLE LASER RADIATION
WHEN OPEN. DO NOT STARE INTO THE BEAM OR
VIEW DIRECTLY WITH OPTICAL INSTRUMENTS.

DO NOT PRESS ON THIS SURFACE

Inside this laser product, a laser diode classified as Class 2 laser radiation is contained as alerted by the internal caution label shown above. Do not stare into beam or view directly with optical instruments.
Location: DVD laser pick-up unit cover inside this product

Operation to reset

The microprocessor may fall into malfunction (impossibility to operate erroneous display, etc.) when the power cord is unplugged while power is ON or due to an external factor.

In this case, switch off the power, wait for several seconds, and then switch the power on again.

Return to the factory defaults by resetting the microprocessor as shown as follows.

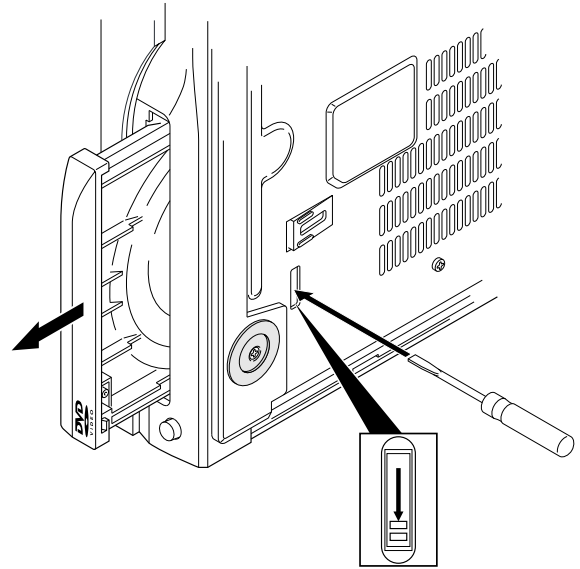
- 1 Press the **MENU** key on the remote to enter **SETUP MENU**.
- 2 Select the **PREFERENCE** then press the **ENTER** key.
- 3 Select **DEFAULTS**, press the Cursor right (▶) key to select **RESET**.
- 4 Press the numeric keys as shown below.
Press **[1]**, **[3]**, **[9]**, **[7]**, then press the **ENTER** key.

When resetting is done according to this method, all settings, including the settings for password and parental level, will be reset to the factory defaults.

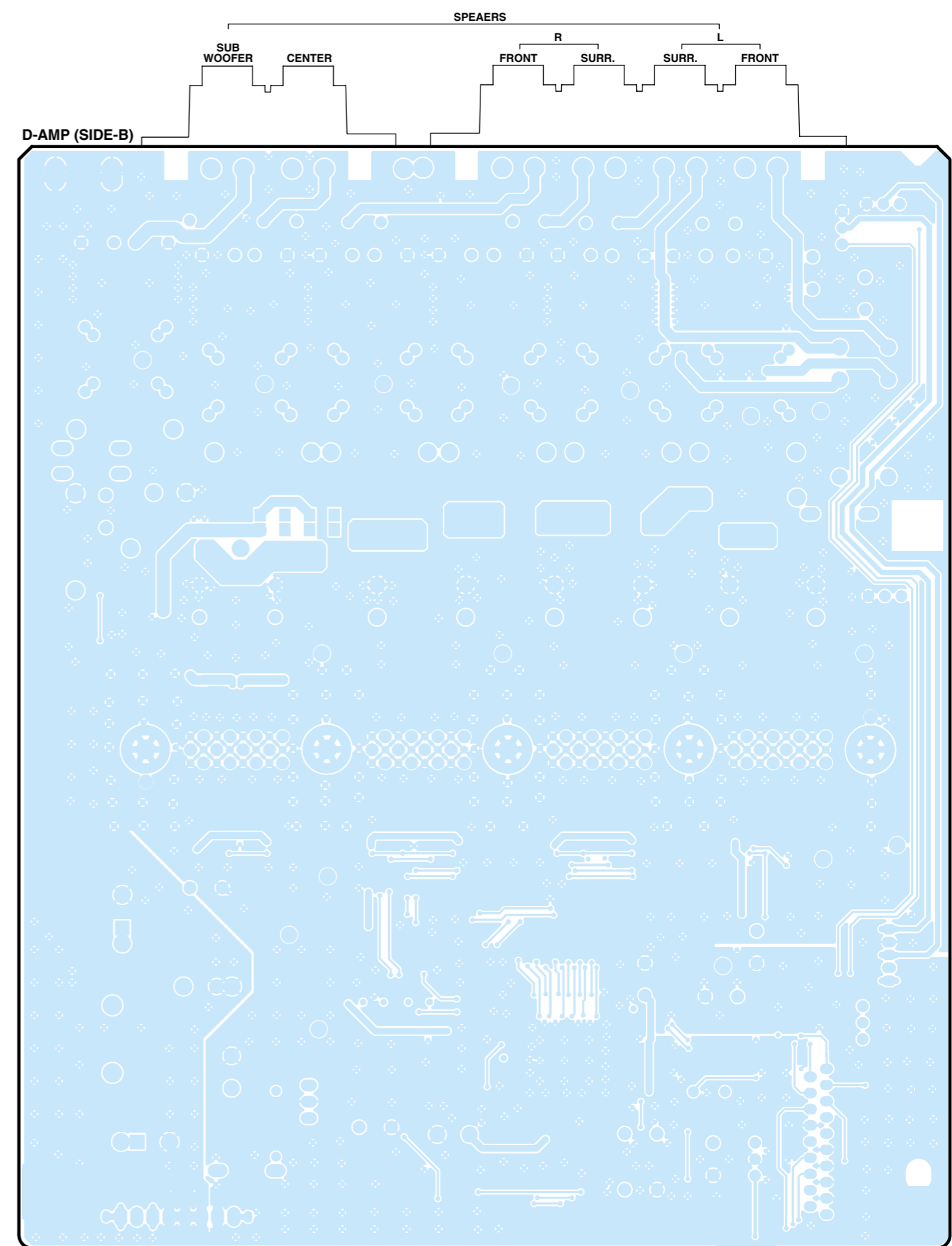
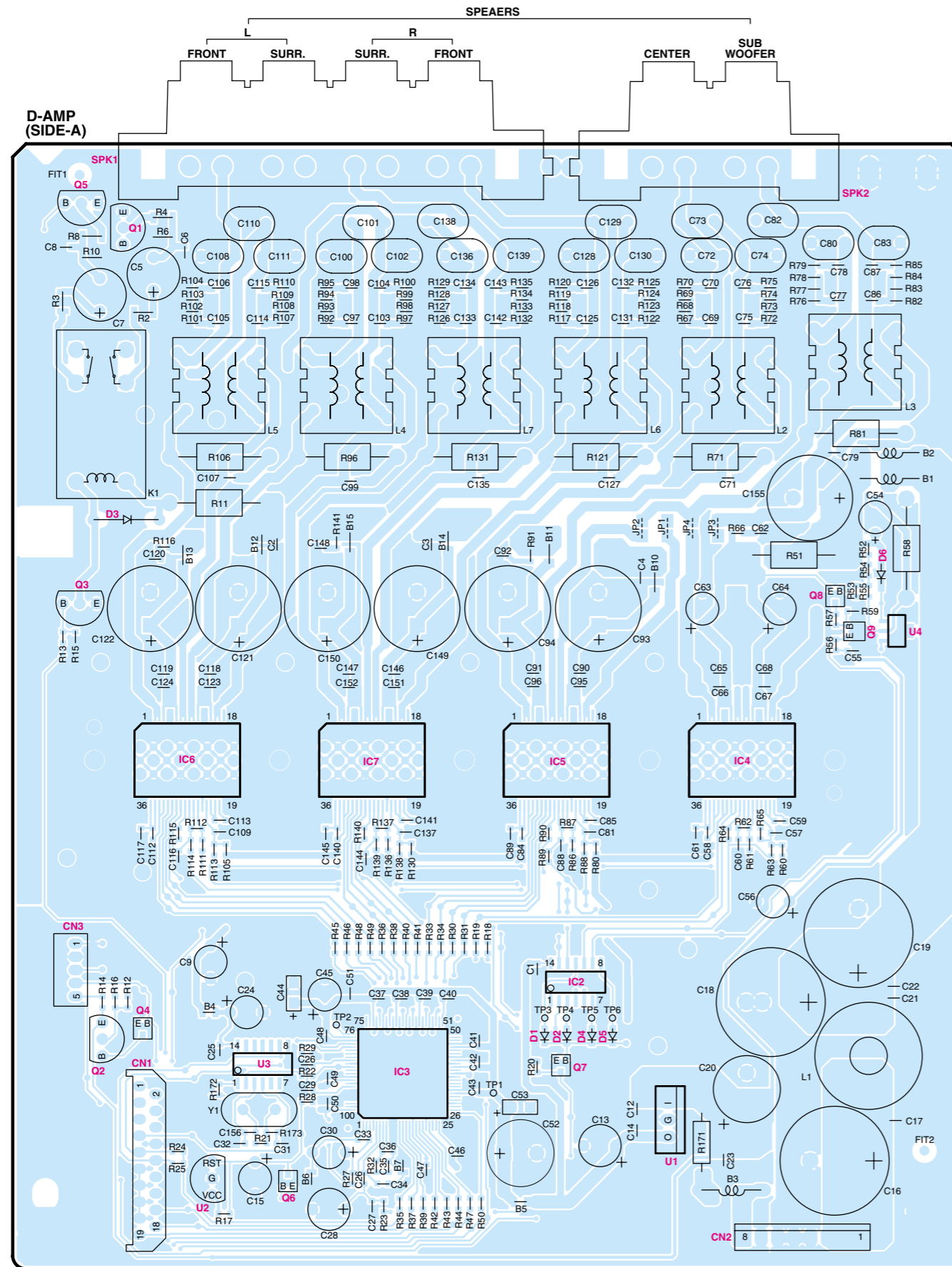
DISASSEMBLY FOR REPAIR

How to open the tray if it does not come out.

1. Insert a flat driver in the drawing through the hole on the loading chassis bottom and pull the lever down.
2. Pull out the tray frontward by hand when it comes just out.

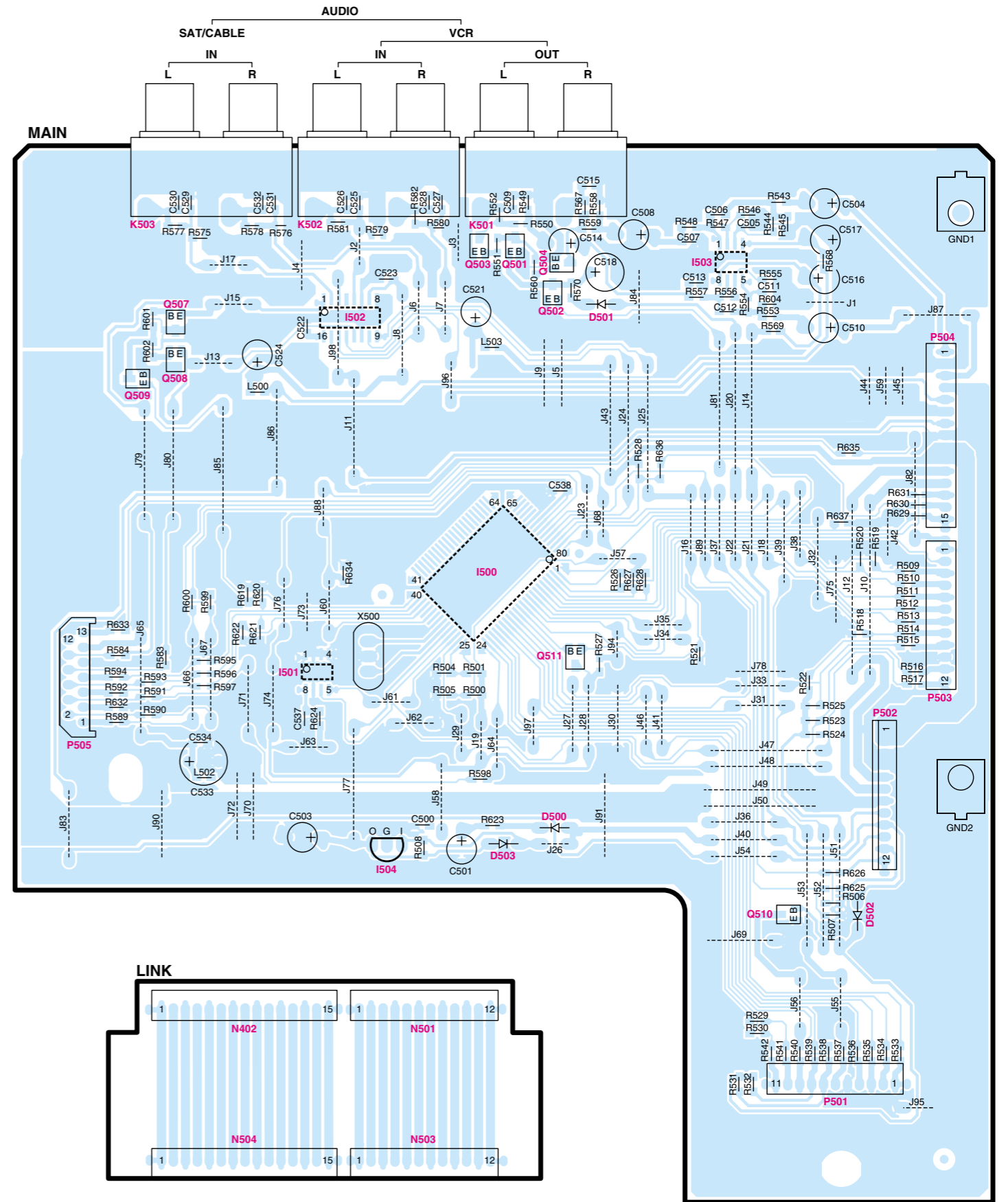
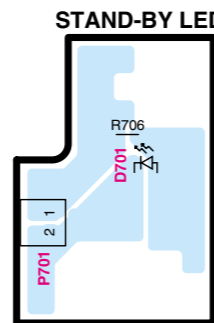
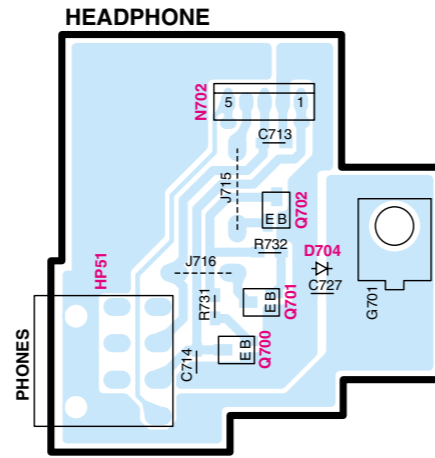
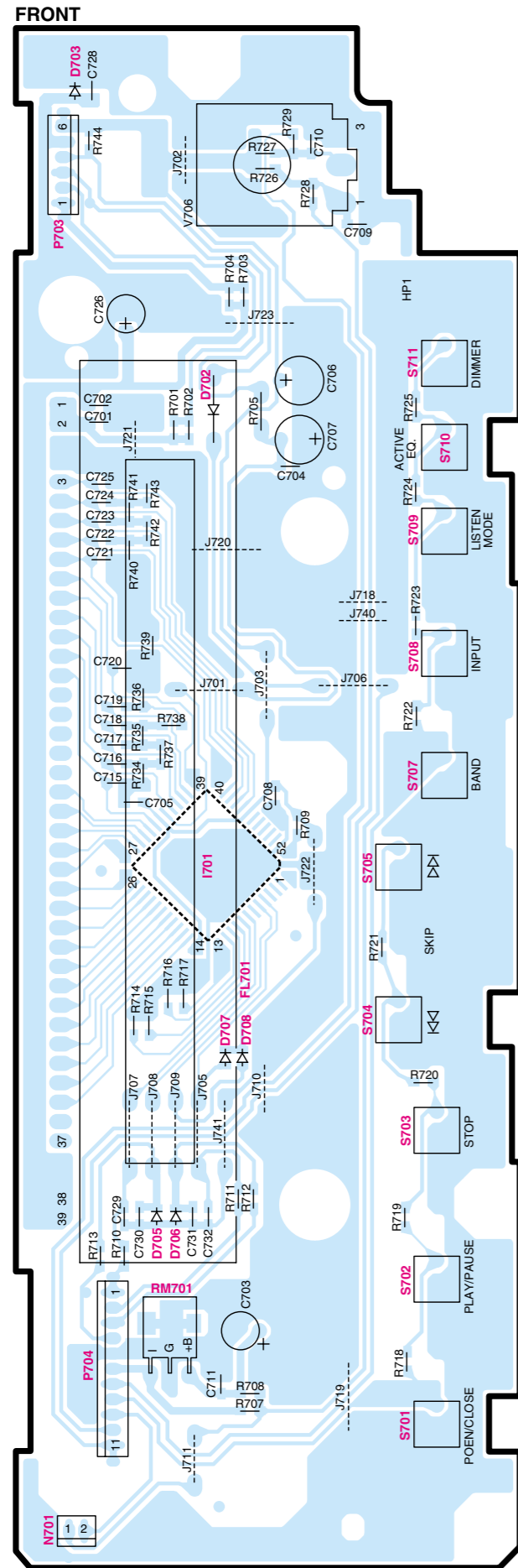


PC BOARD

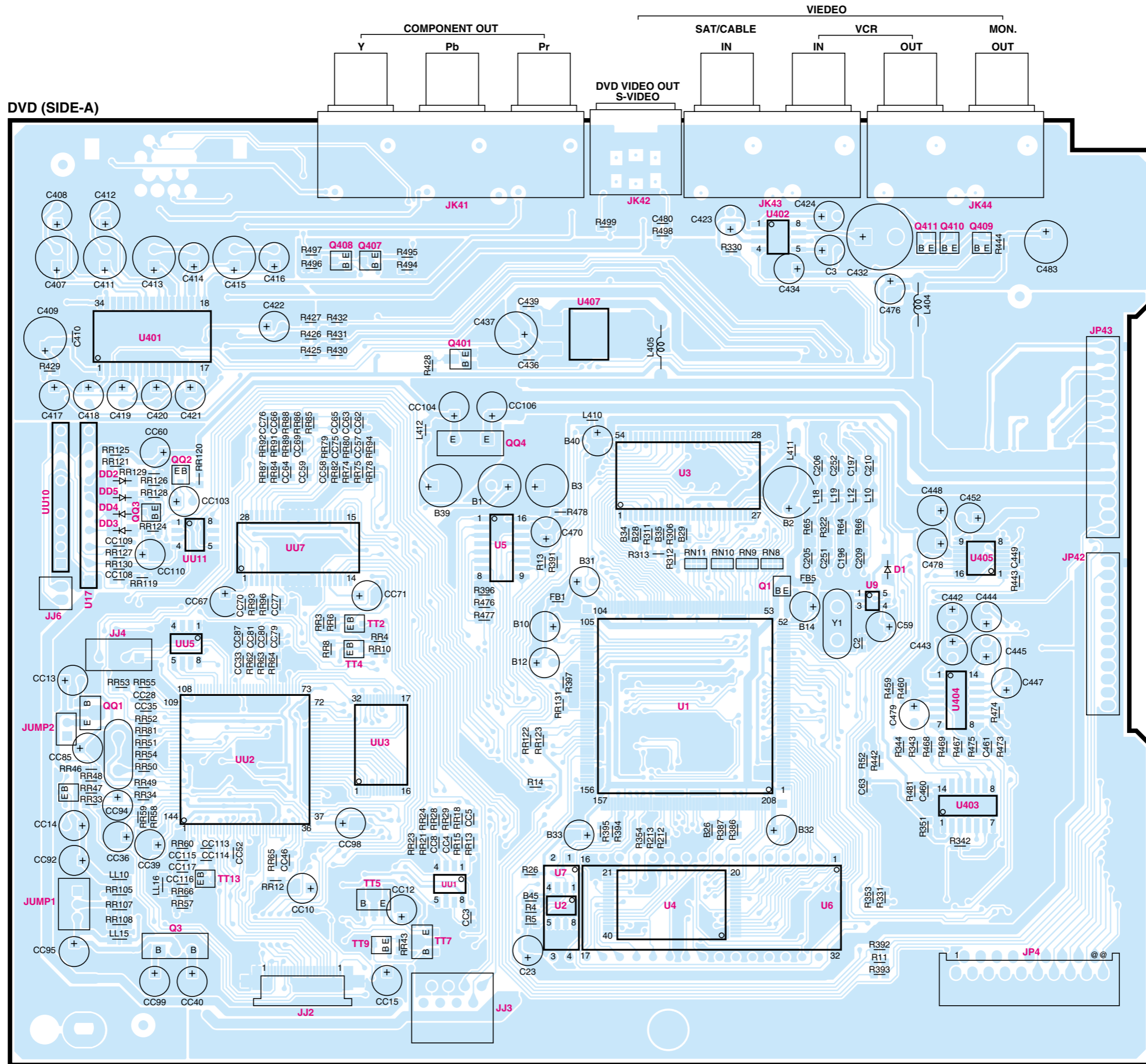


Refer to the schematic diagram for the value of resistors and capacitors.

PC BOARD



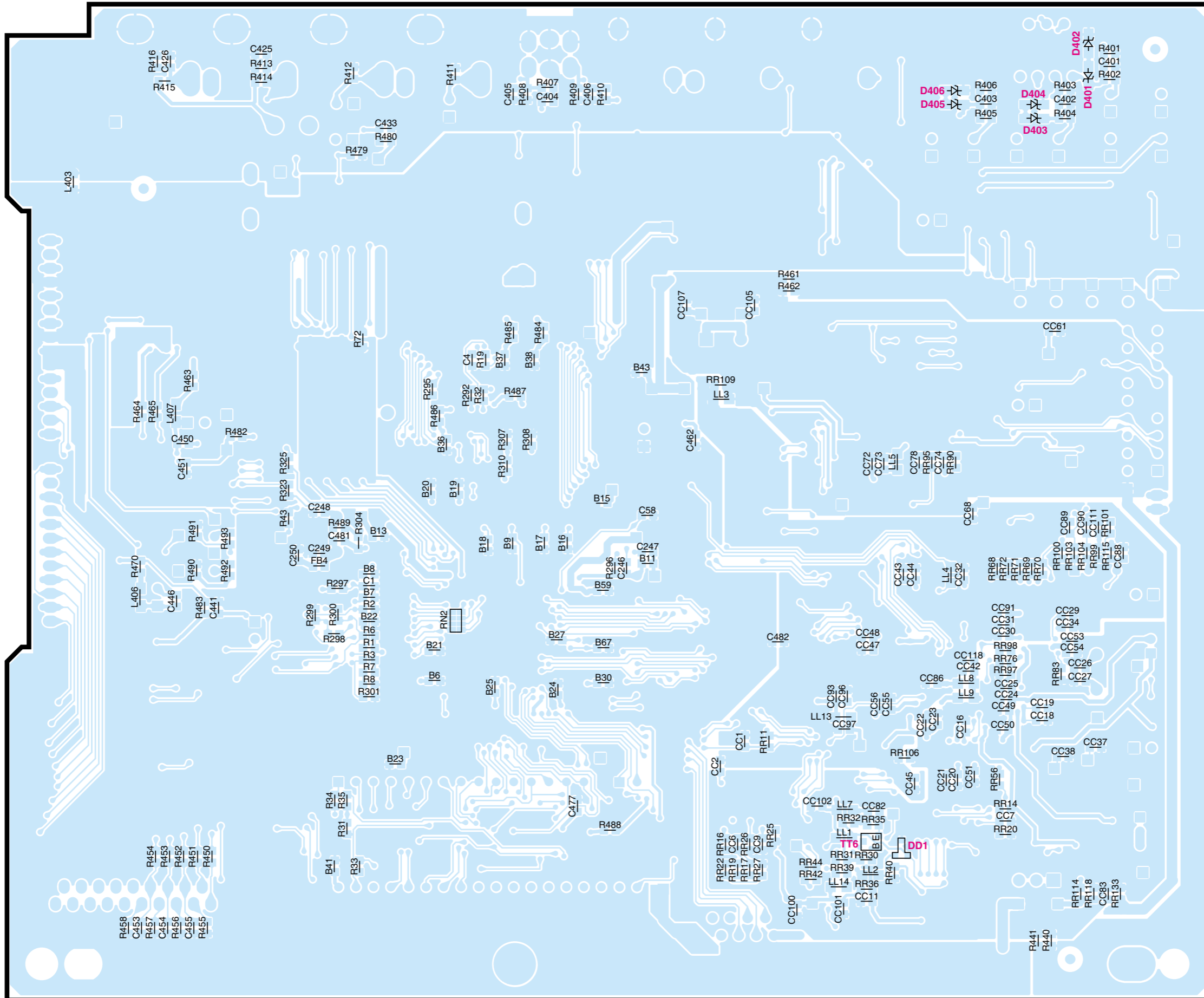
PC BOARD

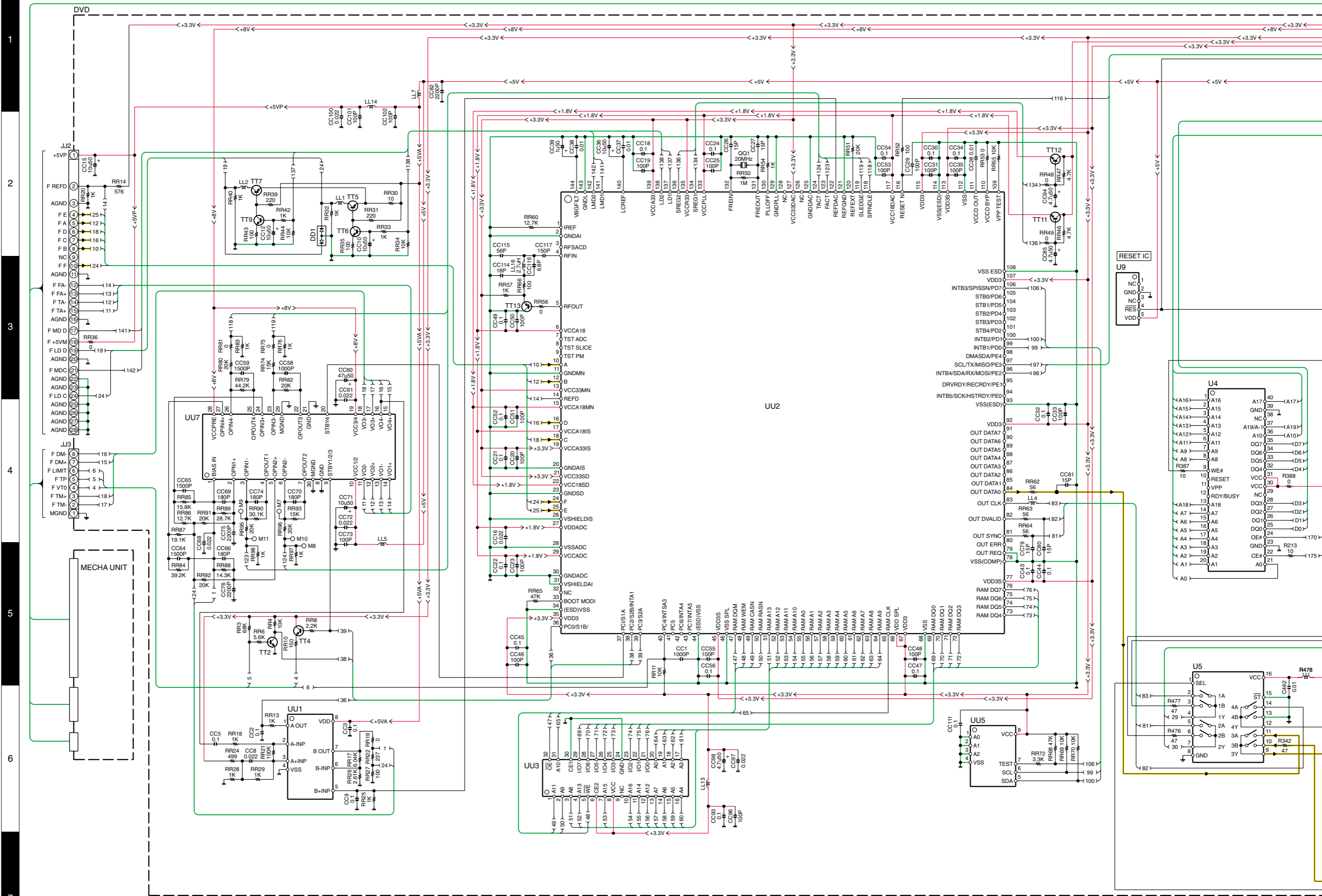


Refer to the schematic diagram for the value of resistors and capacitors.

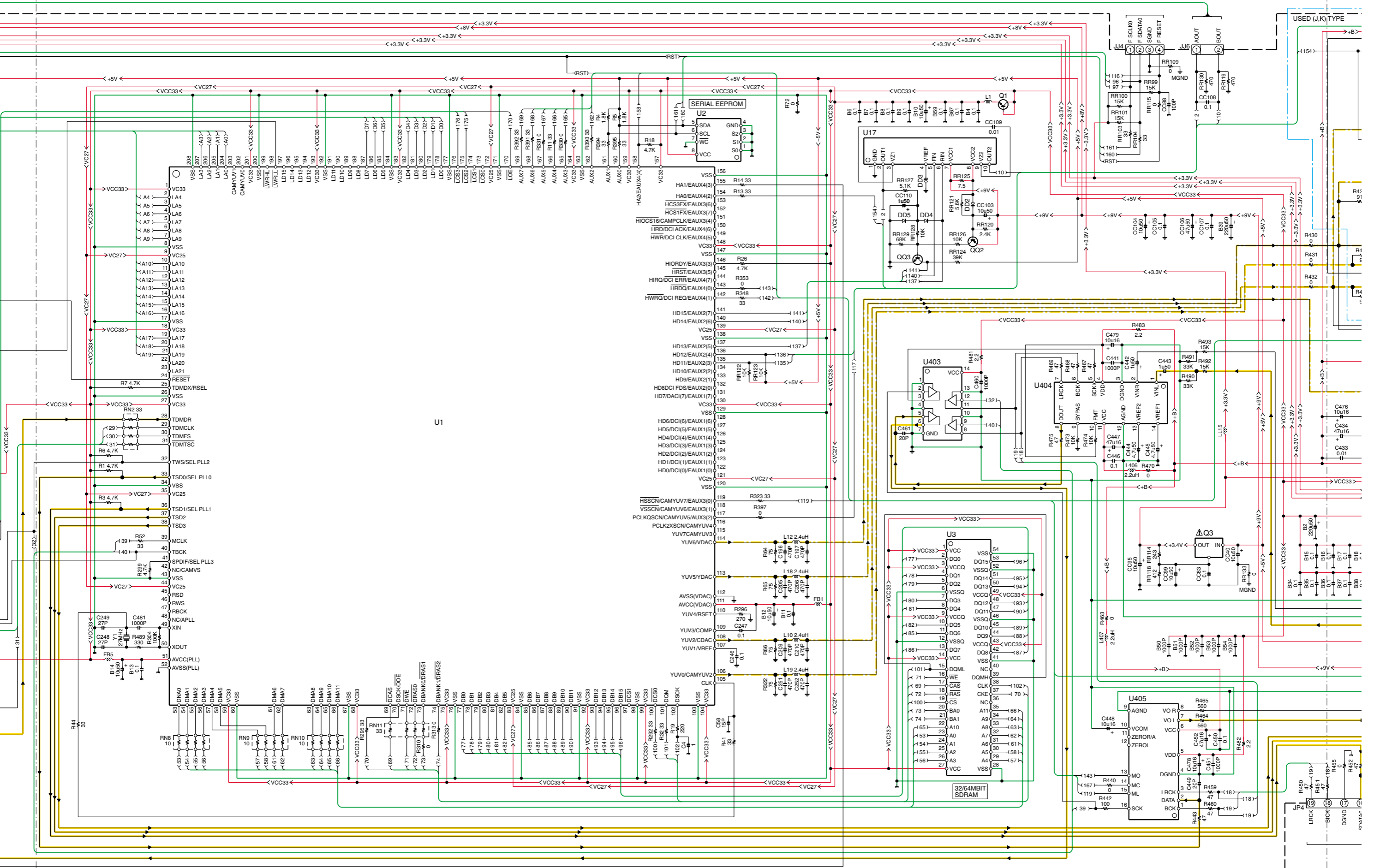
PC BOARD

DVD (SIDE-B)





DVR-6200

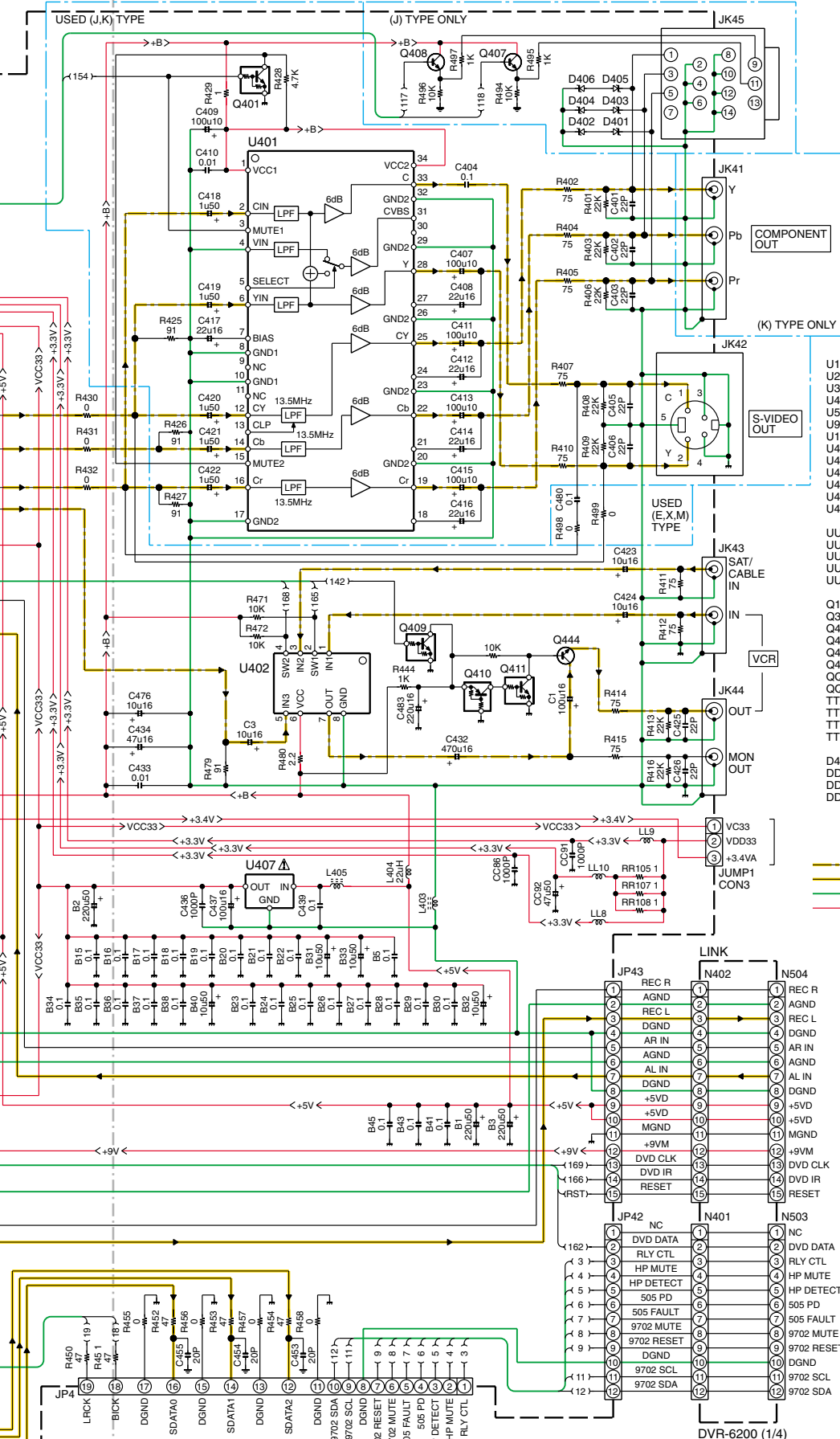


DVR-6200

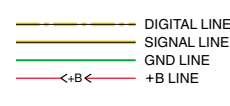
CAUTION: For continued safety, replace safety critical components only with manufacturer's recommended parts (refer to parts list). Δ indicates safety critical components. For continued protection against risk of fire, replace only with same type and rating fuse(s). To reduce the risk of electric shock, leakage-current or resistance measurements shall be carried out (exposed parts are acceptably insulated from the supply circuit) before the appliance is returned to the customer.

The DC voltage is an actual reading measured with a high impedance type voltmeter with no signal input. The measurement value may vary depending on the measuring instruments used or on the product.

DOLBY and the double-D symbol are trademarks or registered trademarks of Dolby Laboratories Licensing Corporation. Noise reduction circuit made under license from Dolby Laboratories Licensing Corporation.



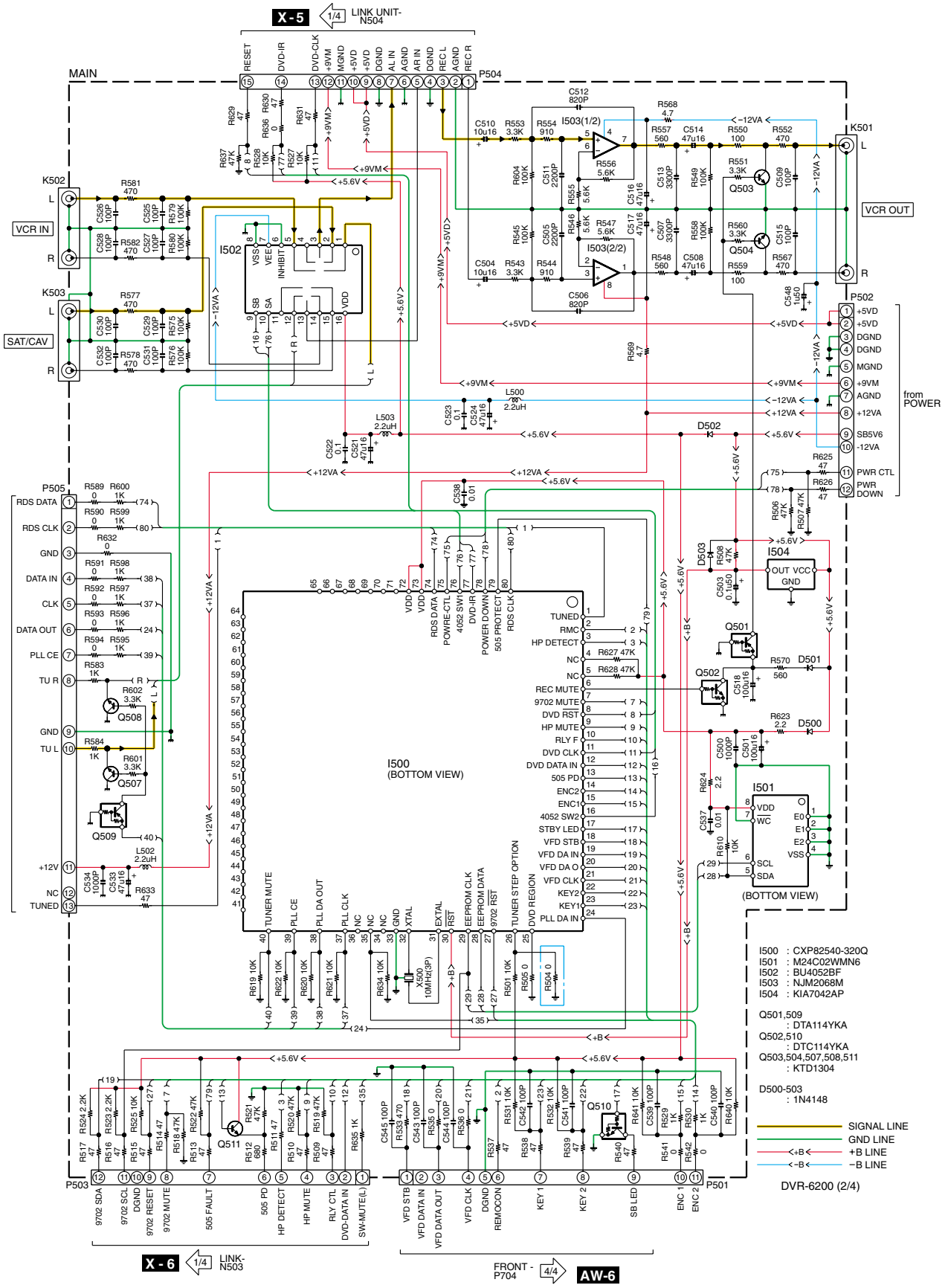
- | | |
|--------------|-------------------|
| U1 | : ES6028F |
| U2 | : M24C01-WMN6 |
| U3 | : HY57V651620B7C |
| U4 | : SST39VF080-90 |
| U5 | : SN74AHC157 |
| U9 | : V6300BSP5B |
| U17 | : BA6209N |
| U401 | : MM1568AJBE |
| U402 | : MM1228XF |
| U403 | : SN74AHC125 |
| U404 | : PCM1801U |
| U405 | : PCM1742KE |
| U407 | : BA033FP |
| U11 | : LM358D |
| U12 | : L6315ATTBTZ |
| U13 | : A62S1024BX-70LL |
| U15 | : M24C64-WMN6T |
| U17 | : BA5983FP |
| Q1 | : KTD1304 |
| Q3 | : LT1085 |
| Q401,409,411 | : DTC114YKA |
| Q407,408 | : KTD1304 |
| Q410 | : DTA114YKA |
| Q444 | : KTC2874A |
| QQ2 | : MMBT3906LT1 |
| QQ3 | : MMBT3904LT1 |
| TT2,4,6,9,12 | : BC848C |
| TT5,7 | : 2SB1119 |
| TT11 | : 2SC3650 |
| TT13 | : BC860C |
| D401-406 | : UDZ5V1 |
| DD1 | : DAP202U |
| DD2,4,5 | : LS148 |
| DD3 | : BZ84C6V8 |



MAIN-P504
2/4
AA-1

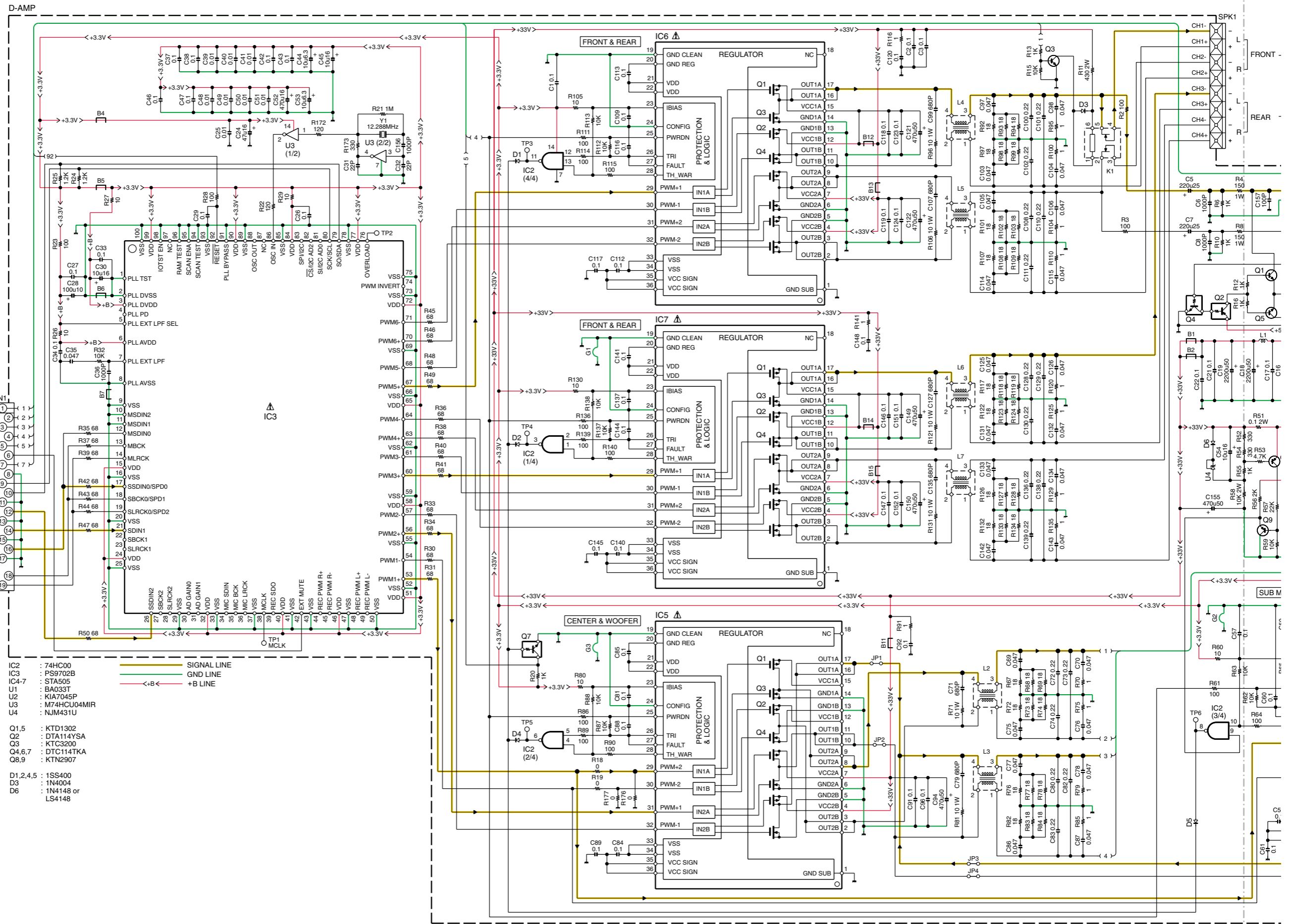
MAIN-P503
2/4
Z-6

DVR-6200

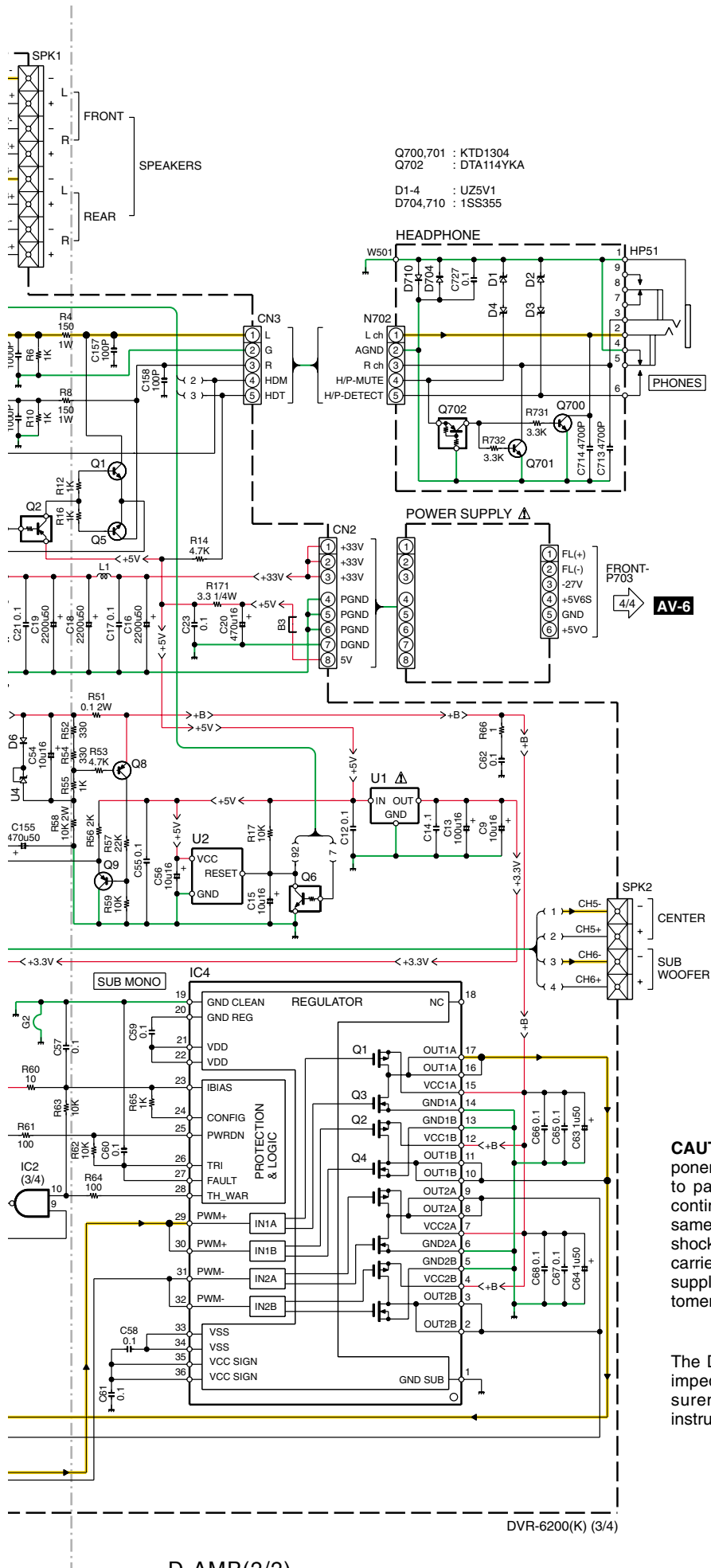


CAUTION: For continued safety, replace safety critical components only with manufacturer's recommended parts (refer to parts list). Δ indicates safety critical components. For continued protection against risk of fire, replace only with same type and rating fuse(s). To reduce the risk of electric shock, leakage-current or resistance measurements shall be carried out (exposed parts are acceptably insulated from the supply circuit) before the appliance is returned to the customer.

The DC voltage is an actual reading measured with a high impedance type voltmeter with no signal input. The measurement value may vary depending on the measuring instruments used or on the product.



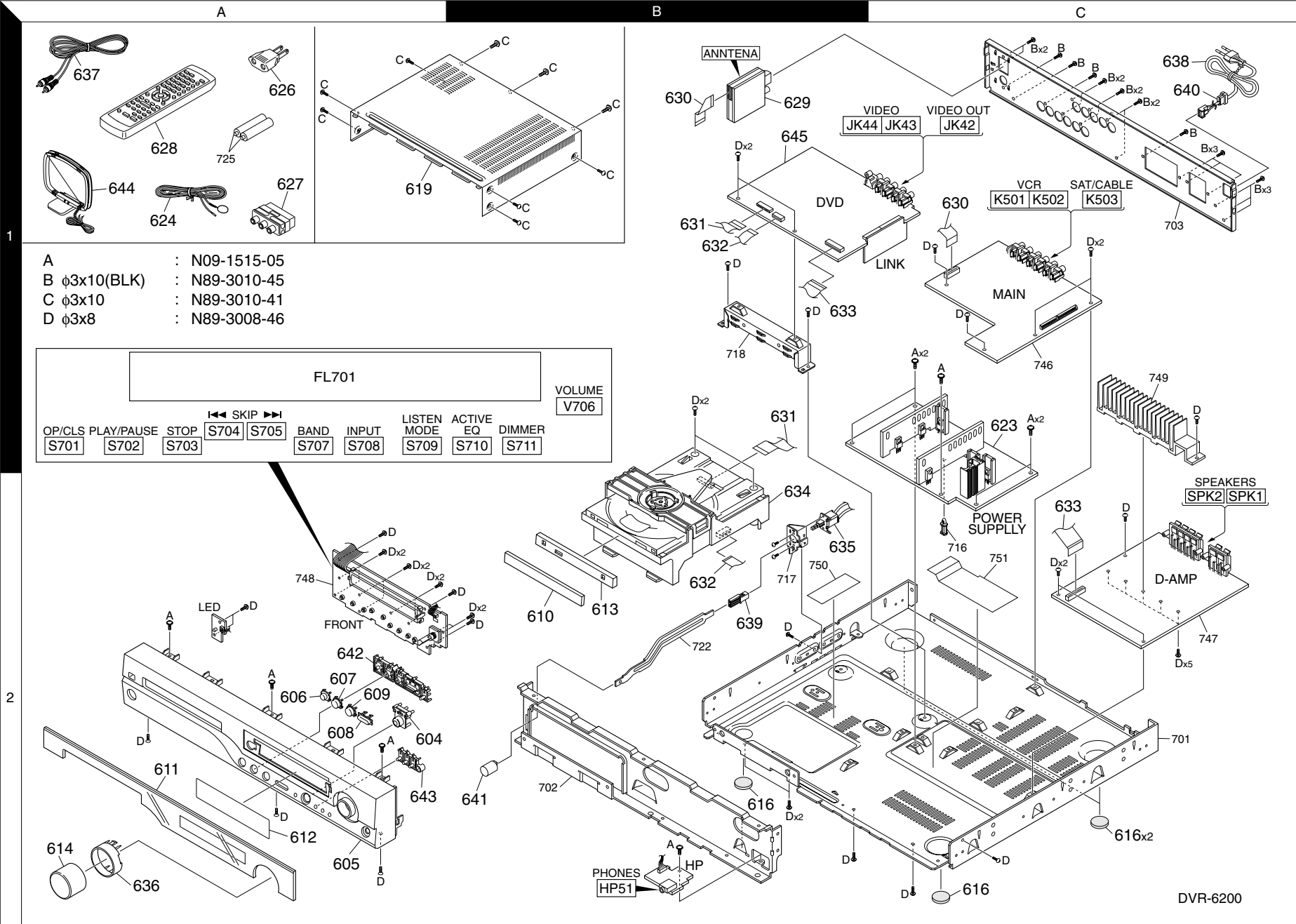
DVR-6200



DVR-6200(K) (3/4)

CAUTION: For continued safety, replace safety critical components only with manufacturer's recommended parts (refer to parts list). Δ indicates safety critical components. For continued protection against risk of fire, replace only with same type and rating fuse(s). To reduce the risk of electric shock, leakage-current or resistance measurements shall be carried out (exposed parts are acceptably insulated from the supply circuit) before the appliance is returned to the customer.

The DC voltage is an actual reading measured with a high impedance type voltmeter with no signal input. The measurement value may vary depending on the measuring instruments used or on the product.



EXPLODED VIEW (UNIT)

DVR-6200

* New Parts
 Parts without **Parts No.** are not supplied.
 Les articles non mentionnés dans le **Parts No.** ne sont pas fournis.
 Teile ohne **Parts No.** werden nicht geliefert.



Ref. No	Add-ress	New Parts	Parts No.	Description	Desti-nation	Re-marks
KSW-6200 (SPEAKER)						
-	-	-	E30-5480-08	SPEAKER CODE 4.5M	RED	
-	-	-	E30-5482-08	SPEAKER CODE 3.0M	GRN	
-	-	-	E30-5483-08	SPEAKER CODE 6.0M	GRY	
-	-	-	E30-5962-08	SPEAKER CODE 4.5M	WHT	
-	-	-	E30-5963-08	SPEAKER CODE 6.0M	BLU	
-	-	-	E30-7005-05	SPEAKER CODE SUB WOOFER		
-	-	-	G13-1141-08	CUSHION		
-	-	*	X20-3772-70	FRONT SPAKER UNIT(L)		
-	-	*	X20-3772-71	FRONT SPAKER UNIT(R)		
-	-	*	X20-3782-70	CENTER SPAKER UNIT		
-	-	*	X20-3792-70	SURROUND SPAKER UNIT(L)		
-	-	*	X20-3792-71	SURROUND SPAKER UNIT(R)		
-	-	*	X20-3802-70	SUB WOOFER SPAKER UNIT		
DVR-6200						
-	-	*	B60-5384-08	AC BOOK INSTR 55808030		E
-	-	*	B60-5386-08	AC BOOK INSTR 55391440		K
-	-	*	L92-0524-08	FCORE FERRIT M 55148840		XEM
-	-	*	L92-0524-08	FCORE FERRIT M 55148840		
604	2A	*	K29-8330-08	AC DEC BUTTON 55730510		
605	2A	*	A29-1228-08	AC DEC CABINET 55730210		K
605	2A	*	A29-1229-08	AC DEC CABINET 55763170		XEM
606	2A	*	K29-8331-08	AC DEC CAP OPE 55730810		
607	2A	*	K29-8332-08	AC DEC CAP PLA 55730910		
608	2A	*	K29-8333-08	AC DEC CAP SKI 55731110		
609	2A	*	A29-8334-08	AC DEC CAP STO 55731010		
610	2B	*	A21-5473-08	AC DEC CRYSTAL 55733460		
611	2A	*	B10-3992-08	AC DEC CRYSTAL 55763180		K
611	2A	*	B10-3993-08	AC DEC CRYSTAL 55763190		XM
611	2A	*	B10-3994-08	AC DEC CRYSTAL 55769720		E
612	2A	*	B11-1589-08	AC DEC CRYSTAL 55763250		
613	2B	*	A29-1231-08	AC DEC DOOR TR 55730310		
614	2A	*	K29-8335-08	AC DEC KNOB VO 5573061A		
616	2B,2B	*	G11-2947-08	AC FOOT RUBBER 55731810		
619	1A	*	A09-1294-08	AC PUN COVER T 55758920		
△	1C	*	W02-4516-08	AD ASY SMPS MO 55769420		K
△	1C	*	W02-4517-08	AD ASY SMPS MO 55769430		XEM
△	1A	*	T90-0882-08	ANTENNA WIRE F 55127470		XEM
△	1A	*	T90-0907-08	ANTENNA WIRE 7 55127450		K
△	1A	*	E03-0115-05	CON ADPTR PLUG 55236070		M
627	1A	*	E69-0012-05	CON SCART + RC 55240100		E
628	1A	*	A70-1647-08	EPR RCT RC-031 55790910		KXM
628	1A	*	A70-1648-08	EPR RCT RC-031 55790920		E
629	1B	*	W02-4519-08	EPR TUNER MODU 5516113A		E
629	1B	*	W02-4520-08	EPR TUNER MODU 5521783A		XM
629	1B	*	W02-4521-08	EPR TUNER MODU 55806990		K
630	1B,1C	*	E35-3591-08	FFC-JUMPER 13X 55514010		
631	1B	*	E35-3592-08	FFC-JUMPER 24X 55808000		
632	1B,2B	*	E35-3593-08	FFC-JUMPER 8X 55808010		
633	1B,2C	*	E35-2814-08	FFC-JUMPER 19X 55209220		
634	2B	*	D40-1824-08	OK KIT TD 1D/T 10779930		
△	2B	*	S62-0154-08	SWIPUSH POWER 55344560		
636	2A	*	B07-2661-08	AC DEC KNOB RI 5532053A		
637	1A	*	E30-1427-05	WIRE-CABSP AUD 55192120		

L : Scandinavia K : USA P : Canada R : Mexico C : China I : Malaysia
 Y : PX(Far East, Hawaii) T : England E : Europe G : Germany V : China (Shanghai)
 Y : AAFES(Europe) X : Australia Q : Russia H : Korea M : Other Areas △ indicates safety critical components.

* New Parts
 Parts without **Parts No.** are not supplied.
 Les articles non mentionnés dans le **Parts No.** ne sont pas fournis.
 Teile ohne **Parts No.** werden nicht geliefert.



Ref. No	Add-ress	New Parts	Parts No.	Description	Desti-nation	Re-marks
△	638	1C	E30-7250-08	WIRE-MCRDM 0.7 55190780		K
△	638	1C	E30-7251-08	WIRE-MCRDM 0.7 55190790		EM
△	638	1C	E30-7253-08	WIRE-MCRDM 0.7 55190820		X
△	639	2B	J19-6368-08	AC MLD HOLDER 55320640		
△	640	1C	J42-0350-08	AC MLD CLAMP A 55125180		
641	2B	*	K29-8261-08	AC DEC KNOB PO 55320460		
642	2A	*	K29-8265-08	AC DEC BUTTON 55320500		
643	2A	*	K29-8266-08	AC DEC BUTTON 55320510		
644	1A	*	T90-0896-08	ANTENNA LOOP A 55208620		
645	1B	*	W02-4522-08	AC PCB DVD BD 55828860		
D-AMP						
C1			CK73GB1C104Z	CHIP C	0.10UF	Z
C2 ,3			CK73FB1H104K	CHIP C	0.10UF	K
C5			CE04LW1E221M	ELECTRO	220UF	25WV
C6			CK73GB1H102K	CHIP C	1000PF	K
C7			CE04LW1E221M	ELECTRO	220UF	25WV
C8			CK73GB1H102K	CHIP C	1000PF	K
C9			CE04LW1C100M	ELECTRO	10UF	16WV
C12			CK73GB1C104Z	CHIP C	0.10UF	Z
C13			CE04LW1C101M	ELECTRO	100UF	16WV
C14			CK73GB1C104Z	CHIP C	0.10UF	Z
C15			CE04LW1C100M	ELECTRO	10UF	16WV
C16			CE04KW1H222M	ELECTRO	2200UF	50WV
C17			CK73GB1H104K	CHIP C	0.10UF	K
C18 ,19			CE04KW1H222M	ELECTRO	2200UF	50WV
C20			CE04LW1C471M	ELECTRO	470UF	16WV
C21 ,22			CK73FB1H104K	CHIP C	0.10UF	K
C23			CK73GB1C104Z	CHIP C	0.10UF	Z
C24			CE04LW1C470M	ELECTRO	47UF	16WV
C25			CK73GB1H103K	CHIP C	0.010UF	K
C26			CK73GB1C104Z	CHIP C	0.10UF	Z
C27			CK73GB1H104K	CHIP C	0.10UF	K
C28			CE04LW1C101M	ELECTRO	100UF	16WV
C29			CK73GB1C104Z	CHIP C	0.10UF	Z
C30			CE04LW1C100M	ELECTRO	10UF	16WV
C31 ,32			CC73GCH1H220J	CHIP C	22PF	J
C33 ,34			CK73GB1H104K	CHIP C	0.10UF	K
C35			CK73GB1H473K	CHIP C	0.047UF	K
C36			CK73GB1H102K	CHIP C	1000PF	K
C37 ,38			CK73GB1C104Z	CHIP C	0.10UF	Z
C39 -41			CK73GB1H103K	CHIP C	0.010UF	K
C42 ,43			CK73GB1C104Z	CHIP C	0.10UF	Z
C44		*	C90-5784-08	CHIP C	10UF	6.3WV
C45		*	CE04LW1C100M	ELECTRO	10UF	16WV
C46 ,47			CK73GB1C104Z	CHIP C	0.10UF	Z
C48 -51			CK73GB1H103K	CHIP C	0.010UF	K
C52		*	CE04LW1C471M	ELECTRO	470UF	16WV
C53		*	C90-5784-08	CHIP C	10UF	6.3WV
C54		*	CE04LW1C100M	ELECTRO	10UF	16WV
C55		*	CK73GB1C104Z	CHIP C	0.10UF	Z
C56		*	CE04LW1C100M	ELECTRO	10UF	16WV
C57			CK73GB1C104Z	CHIP C	0.10UF	Z
C58 ,59			CK73GB1H104K	CHIP C	0.10UF	K
C60			CK73GB1C104Z	CHIP C	0.10UF	Z
C61 ,62			CK73GB1H104K	CHIP C	0.10UF	K

L : Scandinavia K : USA P : Canada R : Mexico C : China I : Malaysia
 Y : PX(Far East, Hawaii) T : England E : Europe G : Germany V : China (Shanghai)
 Y : AAFES(Europe) X : Australia Q : Russia H : Korea M : Other Areas △ indicates safety critical components.

* New Parts

Parts without **Parts No.** are not supplied.
Les articles non mentionnés dans le **Parts No.** ne sont pas fournis.
Teile ohne **Parts No.** werden nicht geliefert.

③

Ref. No	Add-ress	New Parts	Parts No.	Description	Desti-nation	Re-marks
C63 ,64			CE04LW1H010M	ELECTRO	1.0UF	50WV
C65 -68			CK73FB1H104K	CHIP C	0.10UF	K
C69 ,70			CK73FB1H473K	CHIP C	0.047UF	K
C71			CK73FB1H681K	CHIP C	680PF	K
C72			CF92FV1H224J	MF-C	0.22UF	J
C73		*	C90-5785-08	FILM	0.22UF	63WV
C74			CF92FV1H224J	MF-C	0.22UF	J
C75 -78			CK73FB1H473K	CHIP C	0.047UF	K
C79			CK73FB1H681K	CHIP C	680PF	K
C80			CF92FV1H224J	MF-C	0.22UF	J
C81			CK73GB1C104Z	CHIP C	0.10UF	Z
C82		*	C90-5785-08	FILM	0.22UF	63WV
C83			CF92FV1H224J	MF-C	0.22UF	J
C84 ,85			CK73GB1H104K	CHIP C	0.10UF	K
C86 ,87			CK73FB1H473K	CHIP C	0.047UF	K
C88			CK73GB1C104Z	CHIP C	0.10UF	Z
C89			CK73GB1H104K	CHIP C	0.10UF	K
C91			CK73FB1H104K	CHIP C	0.10UF	K
C92			CK73GB1H104K	CHIP C	0.10UF	K
C94			CE04LW1H471M	ELECTRO	470UF	50WV
C96			CK73FB1H104K	CHIP C	0.10UF	K
C97 ,98			CK73FB1H473K	CHIP C	0.047UF	K
C99			CK73FB1H681K	CHIP C	680PF	K
C100			CF92FV1H224J	MF-C	0.22UF	J
C101		*	C90-5785-08	FILM	0.22UF	63WV
C102			CF92FV1H224J	MF-C	0.22UF	J
C103-106			CK73FB1H473K	CHIP C	0.047UF	K
C107			CK73FB1H681K	CHIP C	680PF	K
C108			CF92FV1H224J	MF-C	0.22UF	J
C109			CK73GB1C104Z	CHIP C	0.10UF	Z
C110		*	C90-5785-08	FILM	0.22UF	63WV
C111			CF92FV1H224J	MF-C	0.22UF	J
C112,113			CK73GB1H104K	CHIP C	0.10UF	K
C114,115			CK73FB1H473K	CHIP C	0.047UF	K
C116			CK73GB1C104Z	CHIP C	0.10UF	Z
C117			CK73GB1H104K	CHIP C	0.10UF	K
C118,119			CK73FB1H104K	CHIP C	0.10UF	K
C120			CK73GB1H104K	CHIP C	0.10UF	K
C121,122			CE04LW1H471M	ELECTRO	470UF	50WV
C123,124			CK73FB1H104K	CHIP C	0.10UF	K
C125,126			CK73FB1H473K	CHIP C	0.047UF	K
C127			CK73GB1H681K	CHIP C	680PF	K
C128			CF92FV1H224J	MF-C	0.22UF	J
C129		*	C90-5785-08	FILM	0.22UF	63WV
C130			CF92FV1H224J	MF-C	0.22UF	J
C131-134			CK73FB1H473K	CHIP C	0.047UF	K
C135			CK73FB1H681K	CHIP C	680PF	K
C136			CF92FV1H224J	MF-C	0.22UF	J
C137			CK73GB1C104Z	CHIP C	0.10UF	Z
C138		*	C90-5785-08	FILM	0.22UF	63WV
C139			CF92FV1H224J	MF-C	0.22UF	J
C140,141			CK73GB1H104K	CHIP C	0.10UF	K
C142,143			CK73FB1H473K	CHIP C	0.047UF	K
C144			CK73GB1C104Z	CHIP C	0.10UF	Z
C145			CK73GB1H104K	CHIP C	0.10UF	K

L : Scandinavia K : USA P : Canada R : Mexico C : China I : Malaysia
Y : PX(Far East, Hawaii) T : England E : Europe G : Germany V : China (Shanghai)
Y : AAFES(Europe) X : Australia Q : Russia H : Korea M : Other Areas Δ indicates safety critical components.

* New Parts

Parts without **Parts No.** are not supplied.
Les articles non mentionnés dans le **Parts No.** ne sont pas fournis.
Teile ohne **Parts No.** werden nicht geliefert.

④

Ref. No	Add-ress	New Parts	Parts No.	Description	Desti-nation	Re-marks
C146,147			CK73FB1H104K	CHIP C	0.10UF	K
C148			CK73GB1H104K	CHIP C	0.10UF	K
C149,150			CE04LW1H471M	ELECTRO	470UF	50WV
C151,152			CK73FB1H104K	CHIP C	0.10UF	K
C155			CE04LW1H471M	ELECTRO	470UF	50WV
C156			CK73GB1H102K	CHIP C	100PF	K
C157,158			CC73GCH1H101J	CHIP C	100PF	J
CN1			E41-0799-08	CONN 1.25MM 19 55129010		
SPK1		*	E70-0185-08	CONN-SPE RD/GY 55734410		
SPK2		*	E70-0186-08	CONN-SPE PURPL 55734420		
B1			L92-0017-05	LFBEAD 44.1653 55179510		
B2 ,3			L92-0017-05	LFBEAD 44.1653 55179510		
B4 ,5			L32-1045-08	FBEAD SURFACE 55126710		
B6 ,7			R92-1990-08	FBEAD SURFACE 55126640		
B11-15		*	L92-0572-08	FBEAD SURFACE 55766320		
L1		*	L90-0506-08	CHOKO 20UH +10 55735610		
L2		*	L90-0507-08	CHOKO 10.5UH + 55735620		
L3		*	L90-0508-08	CHOKO 8.5UH +1 55735630		
L4 -7		*	L90-0507-08	CHOKO 10.5UH + 55735620		
Y1		*	L77-2425-08	FILQZ 12M288 H 55777920		
R2 ,3			RK73FB2A101J	CHIP R	100	J 1/10W
R4			RK73FB2A000J	CHIP R		J 1/10W
R4			RS14GB3A151J	FL-PROOF RS	150	J 1W
R6			RK73EB2B102J	CHIP R	1.0K	J 1/8W
R8			RK73FB2A000J	CHIP R		J 1/10W
R8			RS14GB3A151J	FL-PROOF RS	150	J 1W
R10			RK73EB2B102J	CHIP R	1.0K	J 1/8W
R11			RS14KB3A431J	FL-PROOF RS	430	J 1W
R12 ,13			RK73GB1J102J	CHIP R	1.0K	J 1/16W
R14			RK73GB1J472J	CHIP R	4.7K	J 1/16W
R15			RK73GB1J103J	CHIP R	10K	J 1/16W
R16			RK73GB1J102J	CHIP R	1.0K	J 1/16W
R17			RK73GB1J103J	CHIP R	10K	J 1/16W
R18 ,19			RK73GB1J000J	CHIP R		J 1/16W
R20			RK73GB1J102J	CHIP R	1.0K	J 1/16W
R21			RK73GB1J105J	CHIP R	1.0M	J 1/16W
R22			RK73GB1J121J	CHIP R	120	J 1/16W
R23			RK73GB1J101J	CHIP R	100	J 1/16W
R24 ,25			RK73GB1J122J	CHIP R	1.2K	J 1/16W
R26 ,27			RK73GB1J100J	CHIP R	10	J 1/16W
R28			RK73GB1J101J	CHIP R	100	J 1/16W
R29			RK73GB1J100J	CHIP R	10	J 1/16W
R30 ,31			RK73GB1J680J	CHIP R	68	J 1/16W
R32			RK73GB1J103J	CHIP R	10K	J 1/16W
R33 -50			RK73GB1J680J	CHIP R	68	J 1/16W
R51			RW98A3H0R1J	RW	0.1	J 5W
R52			RK73GB1J331J	CHIP R	330	J 1/16W
R53			RK73GB1J472J	CHIP R	4.7K	J 1/16W
R54			RK73GB1J331J	CHIP R	330	J 1/16W
R55			RK73GB1J102J	CHIP R	1.0K	J 1/16W
R56			RK73GB1J202J	CHIP R	2.0K	J 1/16W
R57			RK73GB1J223J	CHIP R	22K	J 1/16W
R58			RS14KB3D103J	FL-PROOF RS	10K	J 2W
R59			RK73GB1J103J	CHIP R	10K	J 1/16W

L : Scandinavia K : USA P : Canada R : Mexico C : China I : Malaysia
Y : PX(Far East, Hawaii) T : England E : Europe G : Germany V : China (Shanghai)
Y : AAFES(Europe) X : Australia Q : Russia H : Korea M : Other Areas Δ indicates safety critical components.

PARTS LIST

DVR-6200

* New Parts

Parts without **Parts No.** are not supplied.Les articles non mentionnés dans le **Parts No.** ne sont pas fournis.Teile ohne **Parts No.** werden nicht geliefert.

5

Ref. No	Add-ress	New Parts	Parts No.	Description	Quantity	Unit	Desti-nation	Re-marks
R60			RK73GB1J100J	CHIP R	10	J	1/16W	
R61			RK73GB1J101J	CHIP R	100	J	1/16W	
R62 ,63			RK73GB1J103J	CHIP R	10K	J	1/16W	
R64			RK73GB1J101J	CHIP R	100	J	1/16W	
R65			RK73GB1J102J	CHIP R	1.0K	J	1/16W	
R66			RK73GB1J1R0J	CHIP R	1	J	1/16W	
R67 -69			RK73GB1J180J	CHIP R	18	J	1/16W	
R70			RK73GB1J1R0J	CHIP R	1	J	1/16W	
R71			RS14GB3A100J	FL-PROOF RS	10	J	1W	
R72 -74			RK73GB1J180J	CHIP R	18	J	1/16W	
R75			RK73GB1J1R0J	CHIP R	1	J	1/16W	
R76 -78			RK73GB1J180J	CHIP R	18	J	1/16W	
R79			RK73GB1J1R0J	CHIP R	1	J	1/16W	
R80			RK73GB1J100J	CHIP R	10	J	1/16W	
R81			RS14GB3A100J	FL-PROOF RS	10	J	1W	
R82 -84			RK73GB1J180J	CHIP R	18	J	1/16W	
R85			RK73GB1J1R0J	CHIP R	1	J	1/16W	
R86			RK73GB1J101J	CHIP R	100	J	1/16W	
R87 ,88			RK73GB1J103J	CHIP R	10K	J	1/16W	
R89 ,90			RK73GB1J101J	CHIP R	100	J	1/16W	
R91			RK73GB1J1R0J	CHIP R	1	J	1/16W	
R92 -94			RK73GB1J180J	CHIP R	18	J	1/16W	
R95			RK73GB1J1R0J	CHIP R	1	J	1/16W	
R96			RS14GB3A100J	FL-PROOF RS	10	J	1W	
R97 -99			RK73GB1J180J	CHIP R	18	J	1/16W	
R100			RK73GB1J1R0J	CHIP R	1	J	1/16W	
R101-103			RK73GB1J180J	CHIP R	18	J	1/16W	
R104			RK73GB1J1R0J	CHIP R	1	J	1/16W	
R105			RK73GB1J100J	CHIP R	10	J	1/16W	
R106			RS14GB3A100J	FL-PROOF RS	10	J	1W	
R107-109			RK73GB1J180J	CHIP R	18	J	1/16W	
R110			RK73GB1J1R0J	CHIP R	1	J	1/16W	
R111			RK73GB1J101J	CHIP R	100	J	1/16W	
R112,113			RK73GB1J103J	CHIP R	10K	J	1/16W	
R114,115			RK73GB1J101J	CHIP R	100	J	1/16W	
R116			RK73GB1J1R0J	CHIP R	1	J	1/16W	
R117-119			RK73GB1J180J	CHIP R	18	J	1/16W	
R120			RK73GB1J1R0J	CHIP R	1	J	1/16W	
R121			RS14GB3A100J	FL-PROOF RS	10	J	1W	
R122-124			RK73GB1J180J	CHIP R	18	J	1/16W	
R125			RK73GB1J1R0J	CHIP R	1	J	1/16W	
R126-128			RK73GB1J180J	CHIP R	18	J	1/16W	
R129			RK73GB1J1R0J	CHIP R	1	J	1/16W	
R130			RK73GB1J100J	CHIP R	10	J	1/16W	
R131			RS14GB3A100J	FL-PROOF RS	10	J	1W	
R132-134			RK73GB1J180J	CHIP R	18	J	1/16W	
R135			RK73GB1J1R0J	CHIP R	1	J	1/16W	
R136			RK73GB1J101J	CHIP R	100	J	1/16W	
R137,138			RK73GB1J103J	CHIP R	10K	J	1/16W	
R139			RK73GB1J101J	CHIP R	100	J	1/16W	
R140			RK73GB1J101J	CHIP R	100	J	1/16W	
R141			RK73GB1J1R0J	CHIP R	1	J	1/16W	
R172			RK73GB1J121J	CHIP R	120	J	1/16W	
R173			RK73GB1J331J	CHIP R	330	J	1/16W	
R174			RK73GB1J000J	CHIP R		J	1/16W	

L : Scandinavia K : USA P : Canada R : Mexico C : China I : Malaysia

Y : PX(Far East, Hawaii) T : England E : Europe G : Germany V : China (Shanghai)

Y : AAFES(Europe) X : Australia Q : Russia H : Korea M : Other Areas Δ indicates safety critical components.

* New Parts

Parts without **Parts No.** are not supplied.Les articles non mentionnés dans le **Parts No.** ne sont pas fournis.Teile ohne **Parts No.** werden nicht geliefert.

6

Ref. No	Add-ress	New Parts	Parts No.	Description	Quantity	Unit	Desti-nation	Re-marks
R176,177			RK73GB1J000J	CHIP R		J	1/16W	
K1			S76-0136-08	RELAYPWR 24.0V	55091520			
D1 ,2			1SS400	D-SLP 1SS400	8 55415550			
D3			1N4004	D-SR 1N4004	40 20415060			
D4 ,5			1SS400	D-SLP 1SS400	8 55415550			
D6			LS4148	D-SLP LS4148	7 16012480			
D6			1N4148	D-SLP 1N4148	1 70436540			
Δ IC2			74HC00	IC-LOGIC 74HC0	15178620			
Δ IC3		*	PS9702B	IC-LOWFREQ PS9	55735810			
Δ IC4 -7		*	STA505	IC-POWAMP STA5	55274970			
Q1			KTD1302	TR-SLPLF KTD13	55133290			
Q2			DTA114YSA	TR-SLPLF DTA11	55133220			
Q3			KTC3200	TR-SHPLF KTC32	20556600			
Q4			DTC114TKA	TR-SSD DTC114T	55133330			
Q5			KTD1302	TR-SLPLF KTD13	55133290			
Q6 ,7			DTC114TKA	TR-SSD DTC114T	55133330			
Q8 ,9			KTN2907	TR-SLPSWA KTN2	55137830			
Δ U1			BA033T	IC(ANALOGUE IC)	55125450			
U2			KIA7045P	IC-REGNEGFXD K	55191090			
U3			M74HCU04M1R	IC-LOGIC M74HC	55133310			
U4			NJM431U	IC(REGULATOR)	55392340			
FRONT								
D701			B30-2638-08	D-LEM L-7104SR	55192130			
C701,702			CK73GB1H473K	CHIP C	0.047UF	K		
C703			CE04LW1C100M	ELECTRO	10UF	16WV		
C704			CK73GB1H473K	CHIP C	0.047UF	K		
C705			CK73GB1H102K	CHIP C	1000PF	K		
C706			CE04LW1A221M	ELECTRO	220UF	10WV		
C707			CE04LW1H100M	ELECTRO	10UF	50WV		
C708			CK73GB1H102K	CHIP C	1000PF	K		
C709,710			CC73GCH1H681J	CHIP C	680PF	J		
C711			CK73GB1H102K	CHIP C	1000PF	K		
C713,714			CK73GB1H472K	CHIP C	4700PF	K		
C715-725			CC73GCH1H680J	CHIP C	68PF	J		
C726			CE04LW1H100M	ELECTRO	10UF	50WV		
C727,728			CK73GB1H104K	CHIP C	0.10UF	K		
C729-731			CK73GB1H101J	CHIP C	100PF	J		
C733			CK73GB1H102K	CHIP C	1000PF	K		
HP51			E11-0957-08	CONN-PHJAC 3.5	55198170			
R701-704			RK73FB2A150J	CHIP R	15	J	1/10W	
R706			RK73FB2A221J	CHIP R	220	J	1/10W	
R707			RK73FB2A472J	CHIP R	4.7K	J	1/10W	
R708			RK73FB2A101J	CHIP R	100	J	1/10W	
R709			RK73FB2A103J	CHIP R	10K	J	1/10W	
R710			RK73FB2A101J	CHIP R	100	J	1/10W	
R712,713			RK73FB2A101J	CHIP R	100	J	1/10W	
R714-717			RK73FB2A104J	CHIP R	100K	J	1/10W	
R718			RK73FB2A242J	CHIP R	2.4K	J	1/10W	
R719			RK73FB2A682J	CHIP R	6.8K	J	1/10W	
R720		*	R92-4623-08	CHIP R	8.06K	F	1/10W	
R721			RK73FB2A333J	CHIP R	33K	J	1/10W	
R722			RK73FB2A242J	CHIP R	2.4K	J	1/10W	

L : Scandinavia K : USA P : Canada R : Mexico C : China I : Malaysia

Y : PX(Far East, Hawaii) T : England E : Europe G : Germany V : China (Shanghai)

Y : AAFES(Europe) X : Australia Q : Russia H : Korea M : Other Areas Δ indicates safety critical components.

* New Parts
 Parts without **Parts No.** are not supplied.
 Les articles non mentionnes dans le **Parts No.** ne sont pas fournis.
 Teile ohne **Parts No.** werden nicht geliefert.

7

Ref. No	Add-ress	New Parts	Parts No.	Description	Desti-nation	Re-marks
R723		*	RK73FB2A682J	CHIP R 6.8K J 1/10W		
R724			R92-4623-08	CHIP R 8.06K F 1/10W		
R725			RK73FB2A333J	CHIP R 33K J 1/10W		
R726,727			RK73FB2A103J	CHIP R 10K J 1/10W		
R728,729			RK73FB2A102J	CHIP R 1.0K J 1/10W		
R731,732			RK73FB2A332J	CHIP R 3.3K J 1/10W		
R746			RK73FB2A101J	CHIP R 100 J 1/10W		
V706			T99-0668-08	PR-ROT 10K0 OH 55191680		
S701-705			S70-0087-08	SWITACT VERTIC 55145270		
S707-711			S70-0087-08	SWITACT VERTIC 55145270		
D1 -4			UDZ5V1	DIODE		
D702			1N4004	D-SR 1N4004 40 20415060		
D703-712			1SS355	D-SLP 1SS355 3		
F701		*	11-BT-200GNAK	DISPLAY 11-BT- 55198170		
I701			PT6311	IC-DISPLAY PT6 55009420		
I701		*	UPD16311GC-AB6	IC-DISPLAY UPD 20920150		
Q700,701			KTD1304	TR-SLPSWA KTD1 55138710		
Q702			DTA114YKA	TR-SSD DTA114Y 55133190		
RM71			NJL63H380A	IC-REMOTE NJL6 55156010		
MAIN						
C500			CK73GB1H102K	CHIP C 1000PF K		
C501			CE04LW1C101M	ELECTRO 100UF 16WV		
C503			CE04LW1HR10M	ELECTRO 0.10UF 50WV		
C504			CE04LW1C100M	ELECTRO 10UF 16WV		
C505			CK73GB1H222K	CHIP C 2200PF K		
C506			CC73GCH1H821J	CHIP C 820PF J		
C507			CK73GB1H332K	CHIP C 3300PF K		
C508			CE04LW1C470M	ELECTRO 47UF 16WV		
C509			CC73GCH1H101J	CHIP C 100PF J		
C510			CE04LW1C100M	ELECTRO 10UF 16WV		
C511			CK73GB1H222K	CHIP C 2200PF K		
C512			CC73GCH1H821J	CHIP C 820PF J		
C513			CK73GB1H332K	CHIP C 3300PF K		
C514			CE04LW1C470M	ELECTRO 47UF 16WV		
C515			CC73GCH1H101J	CHIP C 100PF J		
C516,517			CE04LW1C470M	ELECTRO 47UF 16WV		
C518			CE04LW1C101M	ELECTRO 100UF 16WV		
C521			CE04LW1C470M	ELECTRO 47UF 16WV		
C522,523			CK73GB1H104K	CHIP C 0.10UF K		
C524			CE04LW1C470M	ELECTRO 47UF 16WV		
C525-532			CC73GCH1H101J	CHIP C 100PF J		
C533			CE04LW1C470M	ELECTRO 47UF 16WV		
C534			CK73GB1H102K	CHIP C 1000PF K		
C536			CK73GB1H102K	CHIP C 1000PF K		
C537,538			CK73GB1H103K	CHIP C 0.010UF K		
C539-545			CC73GCH1H101J	CHIP C 100PF J		
C548			CE04LW1H010M	ELECTRO 1.0UF 50WV		
K501-503		*	E63-1331-08	CON PHONO SCKT 55344830		
P505			E41-0824-08	CONN 1.25MM 13 55124790		
L500			L90-0363-08	LF-SMD 2U2H +1 55188040		
L502,503			L90-0363-08	LF-SMD 2U2H +1 55188040		
X500			L77-2355-08	CRESONATOR 10M 55126140		

L : Scandinavia K : USA P : Canada R : Mexico C : China I : Malaysia
 Y : PX(Far East, Hawaii) T : England E : Europe G : Germany V : China (Shanghai)
 Y : AAFES(Europe) X : Australia Q : Russia H : Korea M : Other Areas Δ indicates safety critical components.

* New Parts
 Parts without **Parts No.** are not supplied.
 Les articles non mentionnes dans le **Parts No.** ne sont pas fournis.
 Teile ohne **Parts No.** werden nicht geliefert.

8

Ref. No	Add-ress	New Parts	Parts No.	Description	Desti-nation	Re-marks
R501			RK73FB2A103J	CHIP R 10K J 1/10W		
R504			RK73FB2A000J	CHIP R J 1/10W		K
R504			RK73FB2A242J	CHIP R 2.4K J 1/10W		EM
R504			RK73FB2A822J	CHIP R 8.2K J 1/10W		XM
R505			RK73FB2A000J	CHIP R J 1/10W		K
R505			RK73FB2A122J	CHIP R 1.2K J 1/10W		E
R505			RK73FB2A392J	CHIP R 3.9K J 1/10W		M
R505			RK73FB2A682J	CHIP R 6.8K J 1/10W		X
R506-508			RK73FB2A473J	CHIP R 47K J 1/10W		
R509-511			RK73FB2A470J	CHIP R 47 J 1/10W		
R512			RK73FB2A681J	CHIP R 680 J 1/10W		
R513-517			RK73FB2A470J	CHIP R 47 J 1/10W		
R518-522			RK73FB2A473J	CHIP R 47K J 1/10W		
R523,524			RK73FB2A222J	CHIP R 2.2K J 1/10W		
R525-528			RK73FB2A103J	CHIP R 10K J 1/10W		
R529,530			RK73FB2A102J	CHIP R 1.0K J 1/10W		
R531,532			RK73FB2A103J	CHIP R 10K J 1/10W		
R533			RK73FB2A471J	CHIP R 470 J 1/10W		
R534			RK73FB2A000J	CHIP R J 1/10W		
R535			RK73FB2A103J	CHIP R 10K J 1/10W		
R537-542			RK73FB2A470J	CHIP R 47 J 1/10W		
R543			RK73FB2A332J	CHIP R 3.3K J 1/10W		
R544			RK73FB2A911J	CHIP R 910 J 1/10W		
R545			RK73FB2A104J	CHIP R 100K J 1/10W		
R546,547			RK73FB2A562J	CHIP R 5.6K J 1/10W		
R548			RK73FB2A561J	CHIP R 560 J 1/10W		
R549,550			RK73FB2A104J	CHIP R 100K J 1/10W		
R551			RK73FB2A332J	CHIP R 3.3K J 1/10W		
R552			RK73FB2A471J	CHIP R 470 J 1/10W		
R553			RK73FB2A332J	CHIP R 3.3K J 1/10W		
R554			RK73FB2A911J	CHIP R 910 J 1/10W		
R555,556			RK73FB2A562J	CHIP R 5.6K J 1/10W		
R557			RK73FB2A561J	CHIP R 560 J 1/10W		
R558,559			RK73FB2A104J	CHIP R 100K J 1/10W		
R560			RK73FB2A332J	CHIP R 3.3K J 1/10W		
R567			RK73FB2A471J	CHIP R 470 J 1/10W		
R568,569			RK73FB2A4R7J	CHIP R 4.7 J 1/10W		
R570			RK73FB2A561J	CHIP R 560 J 1/10W		
R575,576			RK73FB2A104J	CHIP R 100K J 1/10W		
R577,578			RK73FB2A471J	CHIP R 470 J 1/10W		
R579,580			RK73FB2A104J	CHIP R 100K J 1/10W		
R581,582			RK73FB2A471J	CHIP R 470 J 1/10W		
R583,584			RK73FB2A102J	CHIP R 1.0K J 1/10W		
R589-594			RK73FB2A000J	CHIP R J 1/10W		
R595-600			RK73FB2A102J	CHIP R 1.0K J 1/10W		
R601,602			RK73FB2A332J	CHIP R 3.3K J 1/10W		
R604			RK73FB2A104J	CHIP R 100K J 1/10W		
R610			RK73FB2A103J	CHIP R 10K J 1/10W		
R619-622			RK73FB2A103J	CHIP R 10K J 1/10W		
R623,624			RK73GB1J2R2J	CHIP R 2.2 J 1/16W		
R625,626			RK73GB1J470J	CHIP R 47 J 1/16W		
R627,628			RK73GB1J473J	CHIP R 47K J 1/16W		
R629-631			RK73GB1J470J	CHIP R 47 J 1/16W		
R632			RK73GB1J000J	CHIP R J 1/16W		
R633			RK73GB1J470J	CHIP R 47 J 1/16W		

L : Scandinavia K : USA P : Canada R : Mexico C : China I : Malaysia
 Y : PX(Far East, Hawaii) T : England E : Europe G : Germany V : China (Shanghai)
 Y : AAFES(Europe) X : Australia Q : Russia H : Korea M : Other Areas Δ indicates safety critical components.

PARTS LIST

DVR-6200

* New Parts

Parts without **Parts No.** are not supplied.Les articles non mentionnés dans le **Parts No.** ne sont pas fournis.Teile ohne **Parts No.** werden nicht geliefert.

9

Ref. No	Add-ress	New Parts	Parts No.	Description	Desti-nation	Re-marks
R634			RK73FB2A103J	CHIP R 10K J 1/10W		
R635			RK73FB2A102J	CHIP R 1.0K J 1/10W		
R636			RK73FB2A000J	CHIP R J 1/10W		
R637			RK73FB2A473J	CHIP R 47K J 1/10W		
R640,641			RK73FB2A103J	CHIP R 10K J 1/10W		
D500-503		*	1N4148	D-SLP 1N4148 1 70436540		
I500			CXP82540-320Q	IC-MICROCONT C 55788220		
I501			MC24C02WMN6	IC-EEPROM M24C 20940740		
I502			BU4052BF	IC-LOGIC BU405 20718780		
I503			NJM2068M	IC-OPERAMP NJM 55142610		
I504		*	KIA7042AP	IC-REGSPECKT K 20977940		
Q501			DTA114YKA	TR-SSD DTA114Y 55133190		
Q502			DTC114YKA	TR-SSD DTC114Y 55133180		
Q503,504			KTD1304	TR-SLPSWA KTD1 55138710		
Q507,508			KTD1304	TR-SLPSWA KTD1 55138710		
Q509			DTA114YKA	TR-SSD DTA114Y 55133190		
Q510			DTC114YKA	TR-SSD DTC114Y 55133180		
Q511			KTD1304	TR-SLPSWA KTD1 55138710		
DVD						
B1 -3			CE04LW1H221M	ELECTRO 220UF 50WV		
B4 ,5			CK73GB1H102K	CHIP C 1000PF K		
B6 -9			CK73GB1C104K	CHIP C 0.10UF K		
B10			CE04LW1H100M	ELECTRO 10UF 50WV		
B11			CK73GB1C104K	CHIP C 0.10UF K		
B12			CE04LW1H100M	ELECTRO 10UF 50WV		
B13			CK73GB1C104K	CHIP C 0.10UF K		
B14			CE04LW1H100M	ELECTRO 10UF 50WV		
B15-30			CK73GB1C104K	CHIP C 0.10UF K		
B31-33			CE04LW1H100M	ELECTRO 10UF 50WV		
B34-38			CK73GB1C104K	CHIP C 0.10UF K		
B39			CE04LW1H221M	ELECTRO 220UF 50WV		
B40			CE04LW1H100M	ELECTRO 10UF 50WV		
B41			CK73GB1C104K	CHIP C 0.10UF K		
B43			CK73GB1C104K	CHIP C 0.10UF K		
B45			CK73GB1C104K	CHIP C 0.10UF K		
B50-54			CK73GB1C104K	CHIP C 0.10UF K		
B59			CK73GB1C104K	CHIP C 0.10UF K		
B67			CK73GB1C104K	CHIP C 0.10UF K		
C1			CE04LW1H010M	ELECTRO 1.0UF 50WV		
C3			CE04LW1C100M	ELECTRO 10UF 16WV		
C23			CE04LW1C221M	ELECTRO 220UF 16WV		
C58			CC73GCH1H150J	CHIP C 15PF J		
C196,197			CK73GB1H471K	CHIP C 470PF K		
C205,206			CK73GB1H471K	CHIP C 470PF K		
C209,210			CK73GB1H471K	CHIP C 470PF K		
C246,247			CK73GB1C104K	CHIP C 0.10UF K		
C248,249			CC73GCH1H270J	CHIP C 27PF J		
C250			CK73GB1H102K	CHIP C 1000PF K		
C251,252			CK73GB1H471K	CHIP C 470PF K		
C401-403			CC73GCH1H220J	CHIP C 22PF J	K	
C404			CK73GB1C104K	CHIP C 0.10UF K	K	
C405,406			CC73GCH1H150J	CHIP C 15PF J	K	
C407			CE04LW1A101M	ELECTRO 100UF 10WV		K
C408			CE04LW1C220M	ELECTRO 22UF 16WV		K

L : Scandinavia K : USA P : Canada R : Mexico C : China I : Malaysia
 Y : PX(Far East, Hawaii) T : England E : Europe G : Germany V : China (Shanghai)
 Y : AAFES(Europe) X : Australia Q : Russia H : Korea M : Other Areas Δ indicates safety critical components.

* New Parts

Parts without **Parts No.** are not supplied.Les articles non mentionnés dans le **Parts No.** ne sont pas fournis.Teile ohne **Parts No.** werden nicht geliefert.

10

Ref. No	Add-ress	New Parts	Parts No.	Description	Desti-nation	Re-marks
C409			CE04LW1A101M	ELECTRO 100UF 10WV		K
C410			CK73GB1H103K	CHIP C 0.010UF K		
C411			CE04LW1A101M	ELECTRO 100UF 10WV		K
C412			CE04LW1C220M	ELECTRO 22UF 16WV		K
C413			CE04LW1A101M	ELECTRO 100UF 10WV		K
C414			CE04LW1C220M	ELECTRO 22UF 16WV		K
C415			CE04LW1A101M	ELECTRO 100UF 10WV		K
C416,417			CE04LW1C220M	ELECTRO 22UF 16WV		K
C418-422			CE04LW1H1R0M	ELECTRO 1.0UF 50WV		K
C423,424			CE04LW1C100M	ELECTRO 10UF 16WV		
C425,426			CC73GCH1H220J	CHIP C 22PF J		
C432			CE04LW1C471M	ELECTRO 470UF 16WV		
C433			CK73GB1H103K	CHIP C 0.010UF K		
C434			CE04LW1C470M	ELECTRO 47UF 16WV		
C436			CK73GB1H102K	CHIP C 1000PF K		
C437			CE04LW1C221M	ELECTRO 220UF 16WV		
C439			CK73GB1C104K	CHIP C 0.10UF K		
C441			CK73GB1H102K	CHIP C 1000PF K		
C442,443			CE04LW1H010M	ELECTRO 1.0UF 50WV		
C444,445			CE04LW1H4R7M	ELECTRO 4.7UF 50WV		
C446			CK73GB1C104K	CHIP C 0.10UF K		
C447			CE04LW1C470M	ELECTRO 47UF 16WV		
C448			CE04LW1C100M	ELECTRO 10UF 16WV		
C449			CC73FCH1H200J	CHIP C 20PF J		
C450			CK73GB1C104K	CHIP C 0.10UF K		
C451			CK73GB1H102K	CHIP C 1000PF K		
C452			CE04LW1C470M	ELECTRO 47UF 16WV		
C453-455			CC73FCH1H200J	CHIP C 20PF J		
C460			CK73GB1H102K	CHIP C 1000PF K		
C461			CC73FCH1H200J	CHIP C 20PF J		
C462			CK73GB1H103K	CHIP C 0.010UF K		
C476			CE04LW1C100M	ELECTRO 10UF 16WV		
C478,479			CE04LW1C100M	ELECTRO 10UF 16WV		
C480			CK73GB1C104K	CHIP C 0.10UF K	EXM	
C481			CK73GB1H102K	CHIP C 1000PF K		
C483			CE04LW1C221M	ELECTRO 220UF 16WV		
CC1			CK73GB1H102K	CHIP C 1000PF K		
CC2 ,3			CK73GB1C104K	CHIP C 0.10UF K		
CC5			CK73GB1C104K	CHIP C 0.10UF K		
CC8			CK73GB1H223K	CHIP C 0.022UF K		
CC9			CK73GB1C104K	CHIP C 0.10UF K		
CC10			CE04LW1H100M	ELECTRO 10UF 50WV		
CC12			CE04LW1H100M	ELECTRO 10UF 50WV		
CC15			CE04LW1H100M	ELECTRO 10UF 50WV		
CC16			CK73GB1H223K	CHIP C 0.022UF K		
CC18			CK73GB1C104K	CHIP C 0.10UF K		
CC19,20			CC73GCH1H101J	CHIP C 100PF J		
CC21,22			CK73GB1C104K	CHIP C 0.10UF K		
CC23			CC73GCH1H101J	CHIP C 100PF J		
CC24			CK73GB1C104K	CHIP C 0.10UF K		
CC25			CC73GCH1H101J	CHIP C 100PF J		
CC26,27			CC73GCH1H150J	CHIP C 15PF J		
CC28			CK73GB1H103K	CHIP C 0.010UF K		
CC29			CC73GCH1H101J	CHIP C 100PF J		
CC30			CK73GB1C104K	CHIP C 0.10UF K		

L : Scandinavia K : USA P : Canada R : Mexico C : China I : Malaysia
 Y : PX(Far East, Hawaii) T : England E : Europe G : Germany V : China (Shanghai)
 Y : AAFES(Europe) X : Australia Q : Russia H : Korea M : Other Areas Δ indicates safety critical components.

* New Parts

Parts without **Parts No.** are not supplied.
Les articles non mentionnés dans le **Parts No.** ne sont pas fournis.
Teile ohne **Parts No.** werden nicht geliefert.



Ref. No	Add-ress	New Parts	Parts No.	Description	Desti-nation	Re-marks
CC31			CC73GCH1H101J	CHIP C 100PF J		
CC32			CK73GB1C104K	CHIP C 0.10UF K		
CC33			CC73GCH1H101J	CHIP C 100PF J		
CC34			CK73GB1C104K	CHIP C 0.10UF K		
CC35			CC73GCH1H101J	CHIP C 100PF J		
CC36			CE04LW1H100M	ELECTRO 10UF 50WV		
CC37,38			CK73GB1H103K	CHIP C 0.010UF K		
CC39			CE04LW1H010M	ELECTRO 1.0UF 50WV		
CC40			CE04LW1H100M	ELECTRO 10UF 50WV		
CC43-45			CK73GB1C104K	CHIP C 0.10UF K		
CC46			CC73GCH1H101J	CHIP C 100PF J		
CC47			CK73GB1C104K	CHIP C 0.10UF K		
CC48			CC73GCH1H101J	CHIP C 100PF J		
CC49			CK73GB1C104K	CHIP C 0.10UF K		
CC50,51			CC73GCH1H101J	CHIP C 100PF J		
CC52			CK73GB1C104K	CHIP C 0.10UF K		
CC53			CC73GCH1H101J	CHIP C 100PF J		
CC54			CK73GB1C104K	CHIP C 0.10UF K		
CC55			CC73GCH1H101J	CHIP C 100PF J		
CC56			CK73GB1C104K	CHIP C 0.10UF K		
CC58			CK73GB1H102K	CHIP C 1000PF K		
CC59			CK73GB1H152J	CHIP C 1500PF J		
CC60			CE04LW1H470M	ELECTRO 47UF 50WV		
CC61			CK73GB1H223K	CHIP C 0.022UF K		
CC64,65			CK73GB1H152J	CHIP C 1500PF J		
CC66			CC73GCH1H181J	CHIP C 180PF J		
CC68			CK73GB1H223K	CHIP C 0.022UF K		
CC69,70			CC73GCH1H181J	CHIP C 180PF J		
CC71			CE04LW1H100M	ELECTRO 10UF 50WV		
CC72			CK73GB1H223K	CHIP C 0.022UF K		
CC73			CC73GCH1H101J	CHIP C 100PF J		
CC74			CC73GCH1H181J	CHIP C 180PF J		
CC75,76			CK73GB1H222K	CHIP C 2200PF K		
CC79-81			CC73GCH1H150J	CHIP C 15PF J		
CC82			CK73GB1H222K	CHIP C 2200PF K		
CC83			CK73GB1C104K	CHIP C 0.10UF K		
CC85			CE04LW1H4R7M	ELECTRO 4.7UF 50WV		
CC86			CK73GB1H102K	CHIP C 1000PF K		
CC87-90			CC73GCH1H101J	CHIP C 100PF J		
CC91			CK73GB1H102K	CHIP C 1000PF K		
CC92			CE04LW1H470M	ELECTRO 47UF 50WV		
CC93			CK73GB1C104K	CHIP C 0.10UF K		
CC94			CE04LW1H4R7M	ELECTRO 4.7UF 50WV		
CC95			CE04LW1H100M	ELECTRO 10UF 50WV		
CC96			CC73GCH1H101J	CHIP C 100PF J		
CC97			CK73GB1H223K	CHIP C 0.022UF K		
CC98			CE04LW1H4R7M	ELECTRO 4.7UF 50WV		
CC99			CE04LW1H100M	ELECTRO 10UF 50WV		
CC100			CK73GB1H223K	CHIP C 0.022UF K		
CC101,102			CC73GCH1H101J	CHIP C 100PF J		
CC103,104			CE04LW1H100M	ELECTRO 10UF 50WV		
CC105			CK73GB1C104K	CHIP C 0.10UF K		
CC106			CE04LW1H470M	ELECTRO 47UF 50WV		
CC107,108			CK73GB1C104K	CHIP C 0.10UF K		
CC109			CK73GB1H103K	CHIP C 0.010UF K		

L : Scandinavia K : USA P : Canada R : Mexico C : China I : Malaysia
Y : PX(Far East, Hawaii) T : England E : Europe G : Germany V : China (Shanghai)
Y : AAFES(Europe) X : Australia Q : Russia H : Korea M : Other Areas Δ indicates safety critical components.

* New Parts

Parts without **Parts No.** are not supplied.
Les articles non mentionnés dans le **Parts No.** ne sont pas fournis.
Teile ohne **Parts No.** werden nicht geliefert.



Ref. No	Add-ress	New Parts	Parts No.	Description	Desti-nation	Re-marks
CC110			CE04LW1H010M	ELECTRO 1.0UF 50WV		
CC111			CK73GB1C104K	CHIP C 0.10UF K		
CC114			CC73GCH1H180J	CHIP C 18PF J		
CC115			CC73GCH1H560J	CHIP C 56PF J		
CC116		*	C90-5786-08	CHIP C 6.8P J		
CC117			CK73GB1H151J	CHIP C 150PF J		
JJ2			E41-0988-08	CONNECTOR-FLAT 55009830		
JJ3		*	E41-1005-08	CONN 1.25MM 08 55832980		
JK41			E63-1266-05	CON PHONO SCKT 55344690		K
JK42		*	E56-0054-08	CON DIN SCKT SO55113970		
JK43,44			E63-1267-05	CON PHONO SCKT 55344850		
JP4			E41-0800-08	CONN 1.25MM 19 55124760		
FB1			L32-1045-08	FBEAD SURFACE M55126710		
FB5			L32-1045-08	FBEAD SURFACE M55126710		
L1			L32-1045-08	FBEAD SURFACE M55126710		
L10			L90-0504-08	LF-SMD 2U4H +5%20350850		
L18,L19			L90-0504-08	LF-SMD 2U4H +5%20350850		
L403			L32-1045-08	FBEAD SURFACE M55126710		
L404			L90-0362-08	LF 22U0H +10% -55178100		
L405		*	L92-0573-08	RH354708(10mm) 55714960		
L406,407			L90-0363-08	LF-SMD 2U2H +1055188040		
LL1,2			L32-1045-08	FBEAD SURFACE M55126710		
LL4,5			L32-1045-08	FBEAD SURFACE M55126710		
LL7-10			L32-1045-08	FBEAD SURFACE M55126710		
LL13			L32-1045-08	FBEAD SURFACE M55126710		
LL14			R92-1989-08	FBEAD SURFACE M55126660		
LL15			L32-1045-08	FBEAD SURFACE M55126710		
LL16		*	L90-0509-08	COIL-CHIP 2.7uH55800400		
QQ1			L77-2418-08	FILQZ 20MO HZ +15051760		
Y1			L77-2326-08	FILQZ 27MO HZ +55128980		
R1			RK73GB1J472J	CHIP R 4.7K J 1/16W		
R3			RK73GB1J472J	CHIP R 4.7K J 1/16W		
R4,5			RK73GB1J182J	CHIP R 1.8K J 1/16W		
R6,7			RK73GB1J472J	CHIP R 4.7K J 1/16W		
R9			RK73GB1J330J	CHIP R 33 J 1/16W		
R13,14			RK73GB1J330J	CHIP R 33 J 1/16W		
R19			RK73GB1J221J	CHIP R 220 J 1/16W		
R26			RK73GB1J472J	CHIP R 4.7K J 1/16W		
R31			RK73GB1J000J	CHIP R J 1/16W		
R32			RK73GB1J330J	CHIP R 33 J 1/16W		
R34			RK73GB1J000J	CHIP R J 1/16W		
R41			RK73GB1J330J	CHIP R 33 J 1/16W		
R44			R90-1337-08	CHIP COM 33 J 1/16W		
R52			RK73GB1J330J	CHIP R 33 J 1/16W		
R64-66			RK73GB1J750J	CHIP R 75 J 1/16W		
R72			RK73GB1J000J	CHIP R J 1/16W		
R213			RK73GB1J100J	CHIP R 10 J 1/16W		
R292			RK73GB1J330J	CHIP R 33 J 1/16W		
R295			RK73GB1J330J	CHIP R 33 J 1/16W		
R296			RK73GB1J271J	CHIP R 270 J 1/16W		
R299			RK73GB1J472J	CHIP R 4.7K J 1/16W		
R304			RK73GB1J104J	CHIP R 100K J 1/16W		
R310			RK73GB1J000J	CHIP R J 1/16W		

L : Scandinavia K : USA P : Canada R : Mexico C : China I : Malaysia
Y : PX(Far East, Hawaii) T : England E : Europe G : Germany V : China (Shanghai)
Y : AAFES(Europe) X : Australia Q : Russia H : Korea M : Other Areas Δ indicates safety critical components.

PARTS LIST

DVR-6200

* New Parts

Parts without **Parts No.** are not supplied.Les articles non mentionnés dans le **Parts No.** ne sont pas fournis.Teile ohne **Parts No.** werden nicht geliefert.

Ref. No	Add-ress	New Parts	Parts No.	Description	Desti-nation	Re-marks
R313			RK73GB1J000J	CHIP R	J	1/16W
R322			RK73GB1J750J	CHIP R	75	J 1/16W
R323			RK73GB1J330J	CHIP R	33	J 1/16W
R342			RK73GB1J470J	CHIP R	47	J 1/16W
R348			RK73GB1J000J	CHIP R	J	1/16W
R351			RK73GB1J100J	CHIP R	10	J 1/16W
R353			RK73GB1J000J	CHIP R	J	1/16W
R387			RK73GB1J000J	CHIP R	J	1/16W
R391-395			RK73GB1J330J	CHIP R	33	J 1/16W
R397			RK73GB1J470J	CHIP R	47	J 1/16W
R401			RK73GB1J223J	CHIP R	22K	J 1/16W K
R402			RK73GB1J750J	CHIP R	75	J 1/16W K
R403			RK73GB1J223J	CHIP R	22K	J 1/16W K
R404,405			RK73GB1J750J	CHIP R	75	J 1/16W K
R406			RK73GB1J223J	CHIP R	22K	J 1/16W K
R407			RK73GB1J750J	CHIP R	75	J 1/16W K
R408,409			RK73GB1J223J	CHIP R	22K	J 1/16W K
R410			RK73GB1J750J	CHIP R	75	J 1/16W K
R411,412			RK73GB1J750J	CHIP R	75	J 1/16W K
R413			RK73GB1J223J	CHIP R	22K	J 1/16W K
R414,415			RK73GB1J750J	CHIP R	75	J 1/16W K
R416			RK73GB1J223J	CHIP R	22K	J 1/16W K
R425-427			RK73FB2A910J	CHIP R	91	J 1/10W K
R428			RK73GB1J472J	CHIP R	4.7K	J 1/16W K
R429			RK73GB1J1R0J	CHIP R	1	J 1/16W K
R430-432			RK73GB1J000J	CHIP R	J	1/16W
R440			RK73GB1J470J	CHIP R	47	J 1/16W
R442,443			RK73GB1J470J	CHIP R	47	J 1/16W
R444			RK73GB1J102J	CHIP R	1.0K	J 1/16W
R450-454			RK73GB1J470J	CHIP R	47	J 1/16W
R455-458			RK73GB1J000J	CHIP R	J	1/16W
R459,460			RK73GB1J470J	CHIP R	47	J 1/16W
R463			RK73GB1J000J	CHIP R	J	1/16W
R464,465			RK73GB1J561J	CHIP R	560	J 1/16W
R467-469			RK73GB1J470J	CHIP R	47	J 1/16W
R470			RK73GB1J000J	CHIP R	J	1/16W
R471,472			RK73GB1J103J	CHIP R	10K	J 1/16W
R473,474			RK73GB1J103J	CHIP R	10K	J 1/16W
R475-477			RK73GB1J470J	CHIP R	47	J 1/16W
R479			RK73FB2A910J	CHIP R	91	J 1/10W
R480-483			RK73GB1J2R2J	CHIP R	2.2	J 1/16W
R489			RK73GB1J331J	CHIP R	330	J 1/16W
R490,491			RK73GB1J333J	CHIP R	33K	J 1/16W
R492,493			RK73GB1J153J	CHIP R	15K	J 1/16W
R498,499			RK73GB1J000J	CHIP R	J	1/16W EXM
RN2			R90-1337-08	CHIP COM	33	J 1/16W
RN8-10			R90-0750-05	CHIP COM	10	J 1/16W
RN11			R90-1337-08	CHIP COM	33	J 1/16W
RR3			RK73GB1J683J	CHIP R	68K	J 1/16W
RR4			RK73GB1J103J	CHIP R	10K	J 1/16W
RR6			RK73FB2A562J	CHIP R	5.6K	J 1/10W
RR8			RK73GB1J222J	CHIP R	2.2K	J 1/16W
RR10			RK73GB1J151J	CHIP R	150	J 1/16W
RR11			RK73GB1J103J	CHIP R	10K	J 1/16W
RR13			RK73GB1J102J	CHIP R	1.0K	J 1/16W

L : Scandinavia K : USA P : Canada R : Mexico C : China I : Malaysia

Y : PX(Far East, Hawaii) T : England E : Europe G : Germany V : China (Shanghai)

Y : AAFES(Europe) X : Australia Q : Russia H : Korea M : Other Areas Δ indicates safety critical components.

* New Parts

Parts without **Parts No.** are not supplied.Les articles non mentionnés dans le **Parts No.** ne sont pas fournis.Teile ohne **Parts No.** werden nicht geliefert.

Ref. No	Add-ress	New Parts	Parts No.	Description	Desti-nation	Re-marks
RR14			R92-4616-08	CHIP R	576	F 1/16W
RR17			R92-4618-08	CHIP R	6.04K	F 1/16W
RR18			RK73GB1J102J	CHIP R	1.0K	J 1/16W
RR19			RK73GB1J000J	CHIP R	J	1/16W
RR20			R92-4605-08	CHIP R	1K	F 1/16W
RR21			RK73GB1J104J	CHIP R	100K	J 1/16W
RR22			R92-4602-08	CHIP R	237	F 1/16W
RR24			R92-4610-08	CHIP R	499	F 1/16W
RR25			R92-4605-08	CHIP R	1K	F 1/16W
RR26			R92-4617-08	CHIP R	2.61K	F 1/16W
RR27			R92-4611-08	CHIP R	100	F 1/16W
RR28,29			R92-4605-08	CHIP R	1K	F 1/16W
RR30			RK73GB1J100J	CHIP R	10	J 1/16W
RR31			RK73GB1J221J	CHIP R	220	J 1/16W
RR32,33			RK73GB1J102J	CHIP R	1.0K	J 1/16W
RR34			RK73GB1J103J	CHIP R	10K	J 1/16W
RR35			RK73GB1J101J	CHIP R	100	J 1/16W
RR36			RK73GB1J000J	CHIP R	J	1/16W
RR39			RK73GB1J221J	CHIP R	220	J 1/16W
RR40			RK73GB1J102J	CHIP R	1.0K	J 1/16W
RR42			RK73GB1J102J	CHIP R	1.0K	J 1/16W
RR43			RK73GB1J101J	CHIP R	100	J 1/16W
RR44			RK73GB1J103J	CHIP R	10K	J 1/16W
RR46,47			RK73GB1J472J	CHIP R	4.7K	J 1/16W
RR48,49			RK73GB1J000J	CHIP R	J	1/16W
RR50			RK73GB1J105J	CHIP R	1.0M	J 1/16W
RR51			R92-4607-08	CHIP R	20K	F 1/16W
RR52			RK73GB1J101J	CHIP R	100	J 1/16W
RR53			RK73GB1J000J	CHIP R	J	1/16W
RR54			R92-4605-08	CHIP R	1K	F 1/16W
RR55			RK73GB1J103J	CHIP R	10K	J 1/16W
RR56			RK73GB1J000J	CHIP R	J	1/16W
RR57			RK73GB1J102J	CHIP R	1.0K	J 1/16W
RR60			R92-4614-08	CHIP R	12.7K	F 1/16W
RR62-64			RK73GB1J560J	CHIP R	56	J 1/16W
RR65			RK73GB1J473J	CHIP R	47K	J 1/16W
RR66			RK73GB1J101J	CHIP R	100	J 1/16W
RR68			RK73GB1J473J	CHIP R	47K	J 1/16W
RR69,70			RK73GB1J103J	CHIP R	10K	J 1/16W
RR72			RK73GB1J332J	CHIP R	3.3K	J 1/16W
RR74			R92-4606-08	CHIP R	15K	F 1/16W
RR75			RK73GB1J000J	CHIP R	J	1/16W
RR76			R92-4605-08	CHIP R	1K	F 1/16W
RR79			R92-4612-08	CHIP R	44.2K	F 1/16W
RR80			R92-4607-08	CHIP R	20K	F 1/16W
RR81			RK73GB1J000J	CHIP R	J	1/16W
RR82			R92-4607-08	CHIP R	20K	F 1/16W
RR83			R92-4605-08	CHIP R	1K	F 1/16W
RR84			R92-4604-08	CHIP R	39.2K	F 1/16W
RR85			R92-4609-08	CHIP R	15.8K	F 1/16W
RR86			R92-4614-08	CHIP R	12.7K	F 1/16W
RR87			R92-4613-08	CHIP R	19.1K	F 1/16W
RR88			R92-4608-08	CHIP R	14.3K	F 1/16W
RR89			R92-4615-08	CHIP R	28.7K	F 1/16W
RR90			R92-4603-08	CHIP R	30.1K	F 1/16W

L : Scandinavia K : USA P : Canada R : Mexico C : China I : Malaysia

Y : PX(Far East, Hawaii) T : England E : Europe G : Germany V : China (Shanghai)

Y : AAFES(Europe) X : Australia Q : Russia H : Korea M : Other Areas Δ indicates safety critical components.

* New Parts

Parts without **Parts No.** are not supplied.
Les articles non mentionnés dans le **Parts No.** ne sont pas fournis.
Teile ohne **Parts No.** werden nicht geliefert.



Ref. No	Add-ress	New Parts	Parts No.	Description	Desti-nation	Re-marks
RR91 ,92			R92-4607-08	CHIP R 20K F 1/16W		
RR93			R92-4606-08	CHIP R 15K F 1/16W		
RR95 ,96			R92-4607-08	CHIP R 20K F 1/16W		
RR97 ,98			R92-4605-08	CHIP R 1K F 1/16W		
RR99 -101			RK73GB1J153J	CHIP R 15K J 1/16W		
RR103,104			RK73GB1J330J	CHIP R 33 J 1/16W		
RR105			RK73FB2A1R0J	CHIP R 1 J 1/10W		
RR107,108			RK73FB2A1R0J	CHIP R 1 J 1/10W		
RR109			RK73GB1J000J	CHIP R 1 J 1/16W		
RR114		*	R92-4621-08	CHIP R 243 F 1/16W		
RR115			RK73GB1J000J	CHIP R J 1/16W		
RR118			R92-4622-08	CHIP R 412 F 1/16W		
RR119			RK73GB1J471J	CHIP R 470 J 1/16W		
RR120			RK73GB1J242J	CHIP R 2.4K J 1/16W		
RR121			RK73FB2A562J	CHIP R 5.6K J 1/10W		
RR122,123			RK73GB1J103J	CHIP R 10K J 1/16W		
RR124			RK73GB1J393J	CHIP R 39K J 1/16W		
RR125			RK73GB1J7R5J	CHIP R 7.5 J 1/16W		
RR126			RK73GB1J103J	CHIP R 10K J 1/16W		
RR127			RK73GB1J512J	CHIP R 5.1K J 1/16W		
RR128			RK73GB1J103J	CHIP R 10K J 1/16W		
RR129			RK73GB1J683J	CHIP R 68K J 1/16W		
RR130			RK73GB1J471J	CHIP R 470 J 1/16W		
RR133			RK73GB1J000J	CHIP R J 1/16W		
DD1			DAP202U	D-SR DAP202U 8 25428590		
DD2			LS4148	D-SLP LS4148 7 16012450		
DD3		*	BZ84C6V8	DIODE 6.8V SM 15080480		
DD4 ,5			LS4148	D-SLP LS4148 7 16012450		
Q1			KTD1304	TR-SLPSWA KTD1 55138710		
Q3			LT1085	IC-REGULADJ LT155833180		
Q401			DTC114YKA	TR-SSD DTC114Y 55133180		K
Q409			DTC114YKA	TR-SSD DTC114Y 55133180		
Q410			DTA114YKA	TR-SSD DTA114Y 55133190		
Q411			KTD1304	TR-SLPSWA KTD1 55138710		
Q444			KTC2874A	TRANSISTOR		
QQ2		*	MMBT3906LT1	TR-SLPLF MMBT3 20628200		
QQ3		*	MMBT3904LT1	TR-SLPLF MMBT3 20723270		
TT2			BC848C	TR-SLPLF BC848 16006300		
TT4			BC848C	TR-SLPLF BC848 16006300		
TT5			2SB1119	TR-SHPSW 2SB11 20496800		
TT6			BC848C	TR-SLPLF BC848 16006300		
TT7			2SB1119	TR-SHPSW 2SB11 20496800		
TT9			BC848C	TR-SLPLF BC848 16006300		
TT11			2SC3650	TR-SLPLF 2SC36 20496770		
TT12			BC848C	TR-SLPLF BC848 16006300		
TT13			BC860C	TR BC860C S 55833380		
U1			ES6028F	IC-SPECFUNC ES 55644660		
U2			M24C01-WMN6	IC-EEPROM M24C 21090560		
U3			HY57V651620BTC8	IC-DRAM 100M0 55156290		
U4			SST39VF080-90	IC-MEMFLASH SS 55790670		
U5			SN74AHC157	IC-LOGIC SN74A 55790680		
U9			V6300BSP5B	IC-SPECFUNC V6 55651660		
U17			BA6209N	IC(MOTOR DRIVER)0458950		
U401			MM1568AJBE	IC-VIDEOPROC M 55389040		K

L : Scandinavia K : USA P : Canada R : Mexico C : China I : Malaysia
Y : PX(Far East, Hawaii) T : England E : Europe G : Germany V : China (Shanghai)
Y : AAFES(Europe) X : Australia Q : Russia H : Korea M : Other Areas Δ indicates safety critical components.

* New Parts

Parts without **Parts No.** are not supplied.
Les articles non mentionnés dans le **Parts No.** ne sont pas fournis.
Teile ohne **Parts No.** werden nicht geliefert.



Ref. No	Add-ress	New Parts	Parts No.	Description	Desti-nation	Re-marks
U402		*	MM1228XF	IC-VIDEOPROC M 55175740		
U403		*	SN74AHC125	IC-LOGIC SN74A 55760420		
U404		*	PCM1801U	IC-CONV PCM180 55732940		
U405		*	PCM1742KE	IC-CONV PCM174 55732950		
Δ U407			BA033FP	IC(MOS IC)XD B 55352910		
UU1			LM358D	IC-OPERAMP LM3 10230050		
UU2			L6315ATTBTZ	IC CD L6315 AT 1074805B		
UU3		*	A62S1024BX-70LL	IC-DRAM A62S10 55790710		
UU5			M24C64-WMN6T	IC-EEPROM M24C 15464120		
UU7			BA5983FP	IC-MOTORCIR BA 55673190		

L : Scandinavia K : USA P : Canada R : Mexico C : China I : Malaysia
Y : PX(Far East, Hawaii) T : England E : Europe G : Germany V : China (Shanghai)
Y : AAFES(Europe) X : Australia Q : Russia H : Korea M : Other Areas Δ indicates safety critical components.

PARTS LIST

DVR-6200

DVR-6200

SPECIFICATIONS

Main unit

[Amplifier section]

Effective output power during STEREO operation	
1 kHz, 10 % T.H.D. at 8 Ω	55 W + 55 W
Effective output power during SURROUND operation	
Front (1 kHz, 10 % T.H.D. at 8 Ω)	55 W + 55 W
Center (1 kHz, 10 % T.H.D. at 8 Ω)	55 W
Surround (1 kHz, 10 % T.H.D. at 8 Ω)	55 W + 55 W
Subwoofer (100 Hz, 10 % T.H.D. at 4 Ω)	100 W
Input sensitivity / impedance	
CABLE/SAT / VCR	250 mV/27 kΩ
Output level / impedance	
VCR	250 mV / 1 kΩ

[Tuner section]

FM tuner section	
Tuning frequency range	87.5 MHz ~ 108 MHz
AM Tuner section	
Tuning frequency range (for Europe and Australia)	
	531 kHz ~ 1,602 kHz
Tuning frequency range (for U.S.A.)	
	530 kHz ~ 1,700 kHz

[DVD/CD/VIDEO CD player section]

Signal read system	Semiconductor laser
Wave length	For DVD; 640 to 660 nm
	For CD; 770 to 810 nm
Power class	Class 2 (IEC)
Wow and flutter	Less than unmeasurable Limit
Video output format	NTSC/ PAL
VIDEO OUTPUT	
Composite video output level/impedance	1 Vp-p (75 Ω)
S-video output	
Y output level/impedance	1 Vp-p (75 Ω)
C output level/impedance	
NTSC	0.286 Vp-p (75 Ω)
PAL	0.3 Vp-p (75 Ω)
Component video output (only for some areas)	
Y output level/impedance	1 Vp-p (75 Ω)
C/b output level/impedance	0.684 Vp-p (75 Ω)
C/r output level/impedance	0.684 Vp-p (75 Ω)
RGB output level (SCART)	0.7 Vp-p (75 Ω)
Compression format	MPEG1/MPEG2

[General]

Power consumption	100 W
Dimensions	W:400 mm (15-3/4")
	H: 78 mm (3-1/16")
	D:390 mm (15-3/8")
Weight (net)	5.0 kg

KSW-6200 Speakers(Front/Center)

Enclosure	Bass-Reflex (Magnetically shielded)
Speaker configuration	80 mm (3"), cone type
Impedance	8 Ω
Power Handling Capacity (DVR-6200)	55 W
Dimensions	W: 100 mm (3-15/16")
	H: 180 mm (7-1/16")
	D: 124 mm (4-7/8")
Weight (net)	0.9 kg (1 piece)

KSW-6200 Speakers (Surround)

Enclosure	Bass-Reflex
Speaker configuration	80 mm (3"), cone type
Impedance	8 Ω
Power Handling Capacity (DVR-6200)	55 W
Dimensions	W: 100 mm (3-15/16")
	H: 180 mm (7-1/16")
	D: 124 mm (4-7/8")
Weight (net)	0.7 kg (1 piece)

KSW-6200 Speakers (Subwoofer)

Enclosure	Bass-reflex type
Speaker configuration	
Woofer	160 mm (6-1/2"), cone type
Impedance	4 Ω
Power Handling Capacity (DVR-6200)	100 W
Dimensions	W: 170 mm (6-11/16")
	H: 355 mm (14")
	D: 341 mm (13-7/16")
Weight (net)	5.2kg



KENWOOD follows a policy of continuous advancements in development. For this reason specifications may be changed without notice.

- Sufficient performance may not be exhibited at extremely cold locations (Where water freezes) .